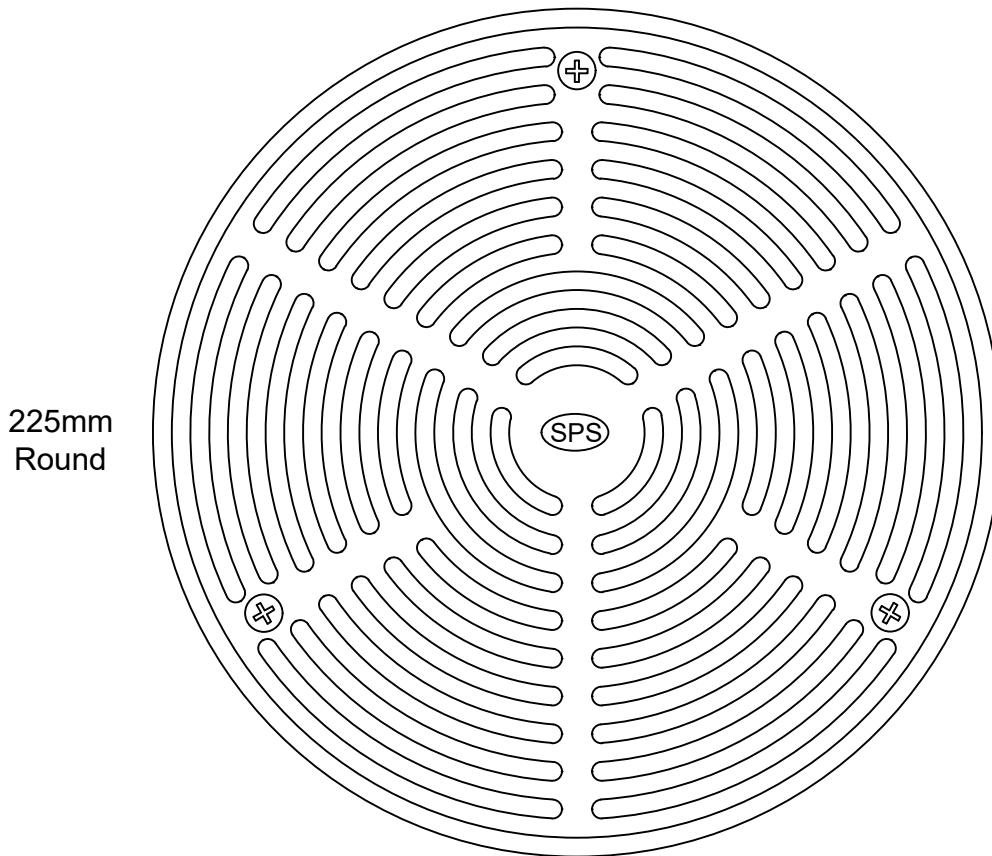


SPS 225mm Round Push-in Floor Drain

150mm Outlet

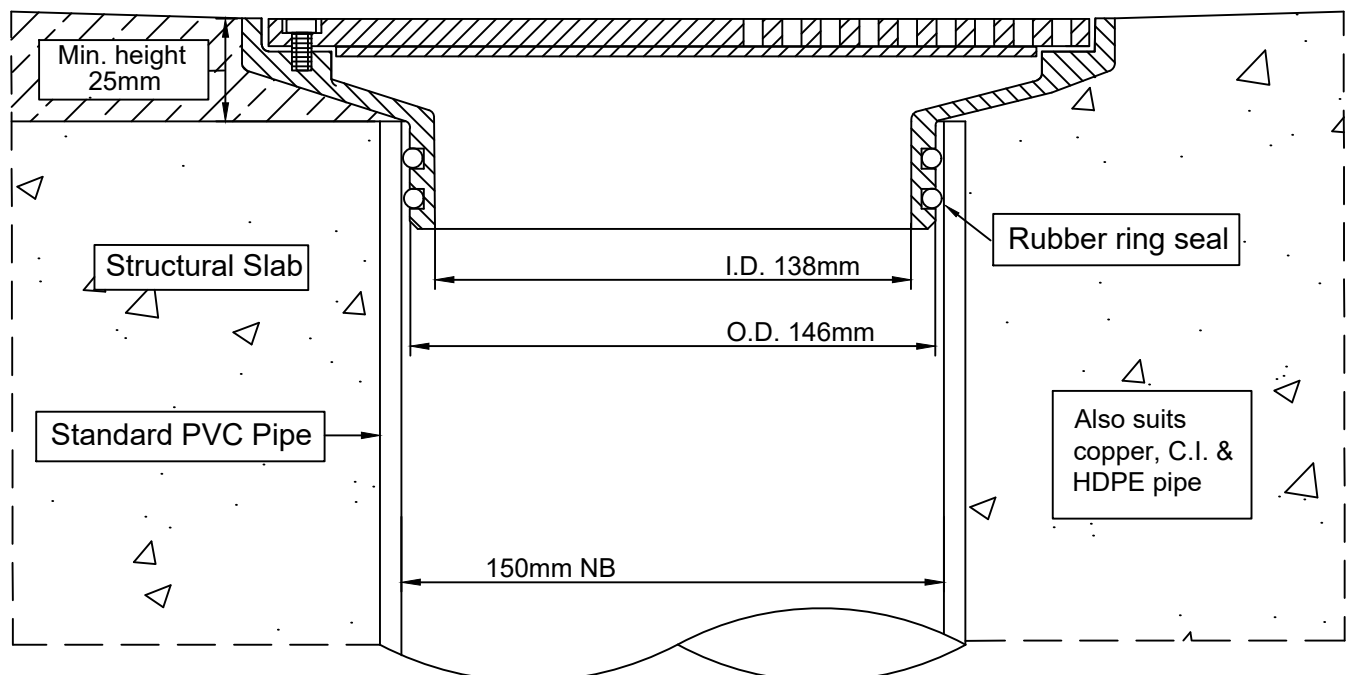
Specification code:
R225/150SR (satin 316 stainless steel)

High-heel friendly pattern (5.5mm gaps)



Typical Applications

Tiling or topping



*For flow rate data please refer to appendix.

Speciality Plumbing Supplies Pty Ltd

Tel: (02) 9417 1900 Fax: (02) 9417 0108 E-mail: info@spsdrains.com.au