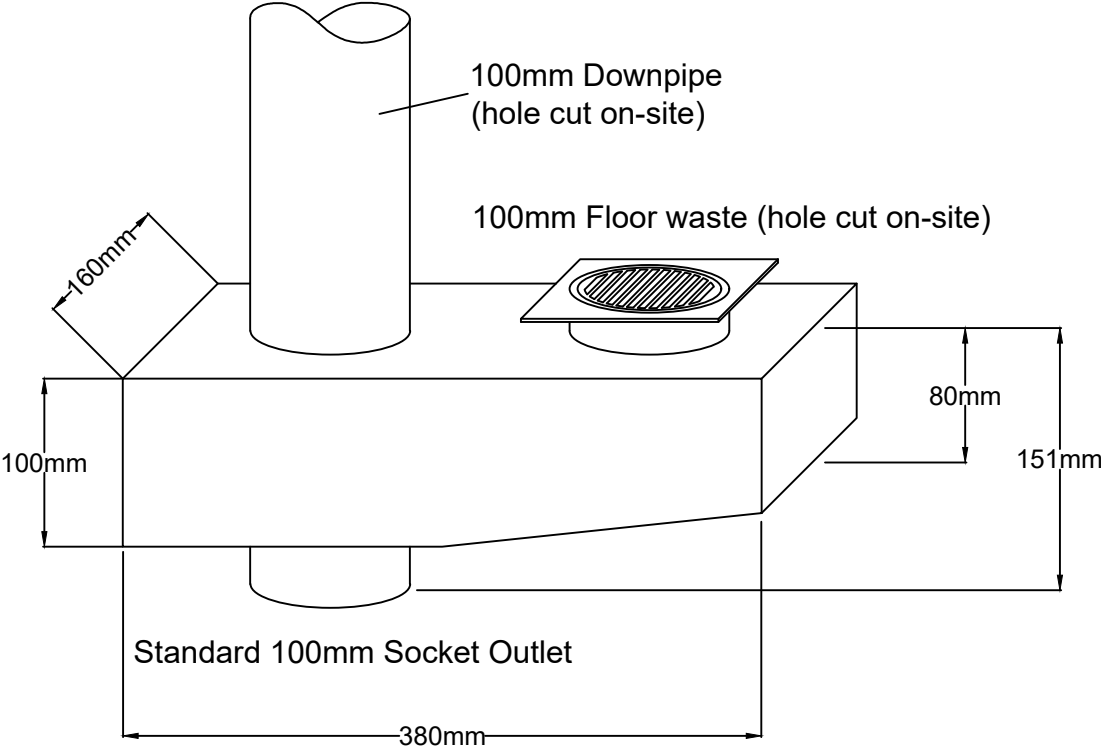
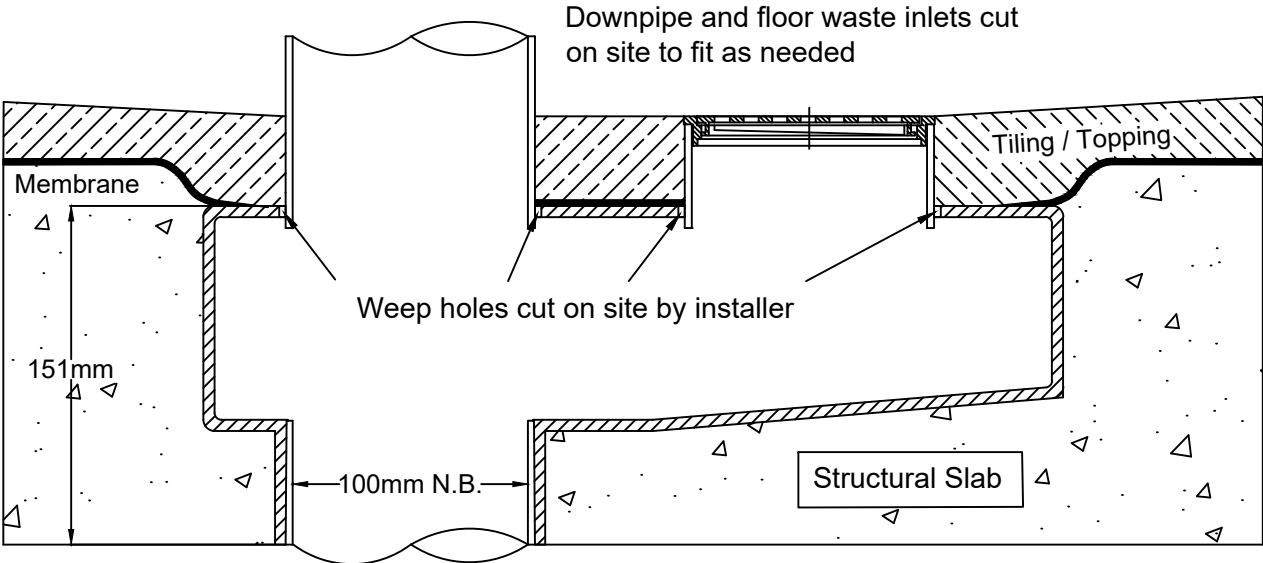


# SPS 100mm Dual Inlet Balcony Box

Specification codes:  
BB100 (injection-moulded uPVC plastic)



## Typical Application



Speciality Plumbing Supplies Pty Ltd

Tel: (02) 9417 1900 Fax: (02) 9417 0108 Email: info@spsdrains.com.au