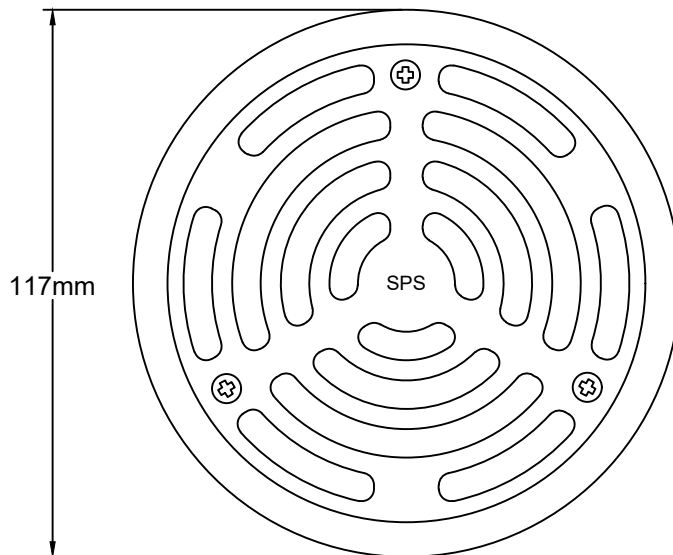


SPS 80mm Push-in Sheet Vinyl Floor Waste

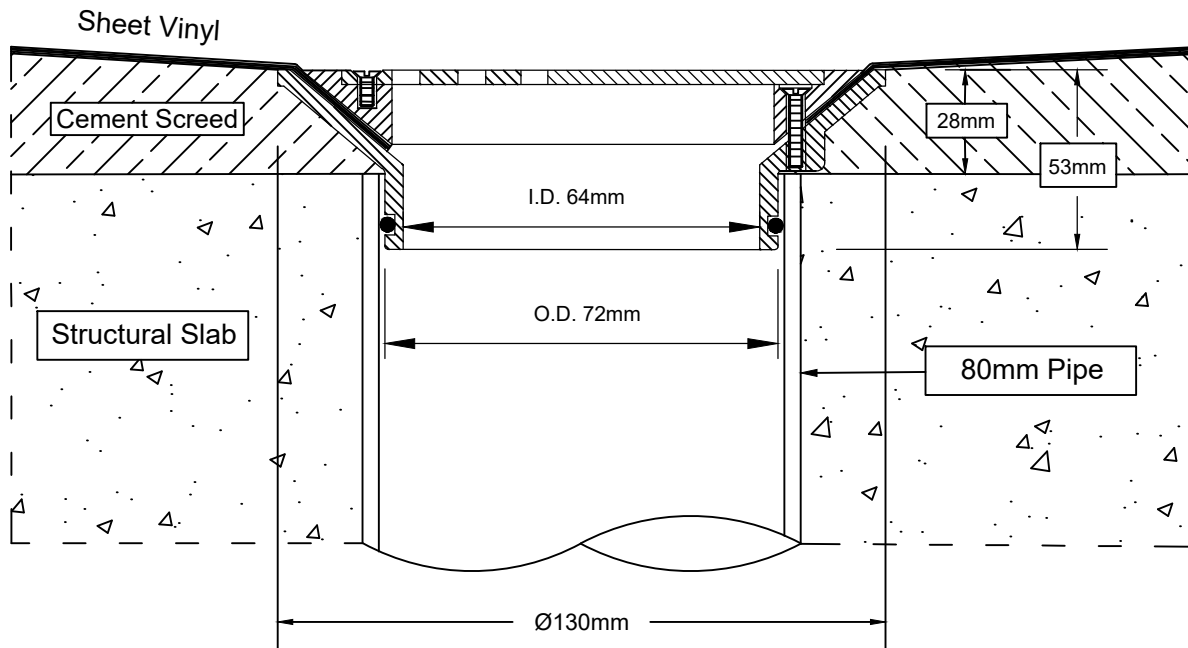
Specification codes:

V80SVA (304 stainless steel ring & grate, ABS body)
V80SVA6 (316 stainless steel ring & grate, ABS body)
V80SSA4 (All-304 stainless steel assembly)
V80SSA6 (316 SS ring/grate, 304SS body) *special order*

- Push-in floor waste assembly for sheet vinyl flooring.
- Vinyl floor drain body available in ABS and 304. 316SS body available by special order.
- Ring & grate available in polished 304 and 316 stainless steel.
- O-rings adapt outlet to 80mm PVC & copper pipe.



Typical Application



Speciality Plumbing Supplies Pty Ltd

Tel: (02) 9417 1900 Fax: (02) 9417 0108 E-mail: info@spsdrains.com.au