

# SPS 135mm Heel-Guard Lineal Grate & Crushed Edge Channel

## Specification Codes:

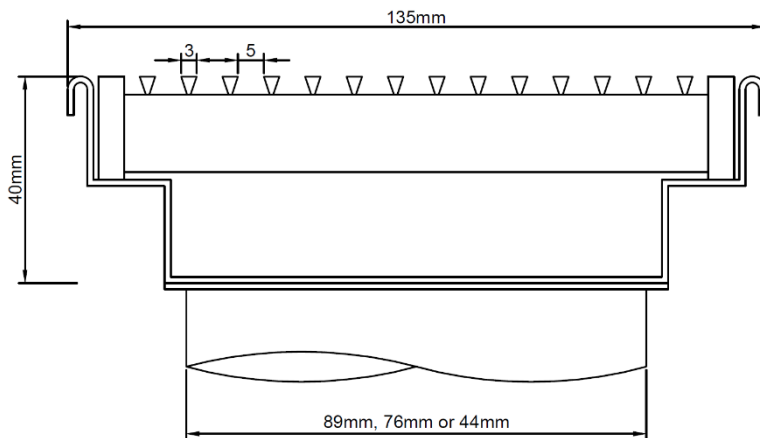
SSCE13540H – 135mm wide x 40mm deep (89mm, 76mm & 44mm outlets)

SSCE13575H – 135mm wide x 75mm deep (89mm, 76mm & 44mm outlets)

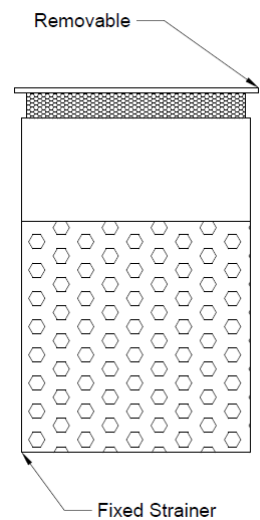
SSTBTO – Basket Trap outlet to suit \*

- Architectural Heel-Guard Grate
- Complete 316SS Assembly
- Coles Specified Grate
- Available with:
  - Basket Trap Outlet
  - Heavy Duty Grate

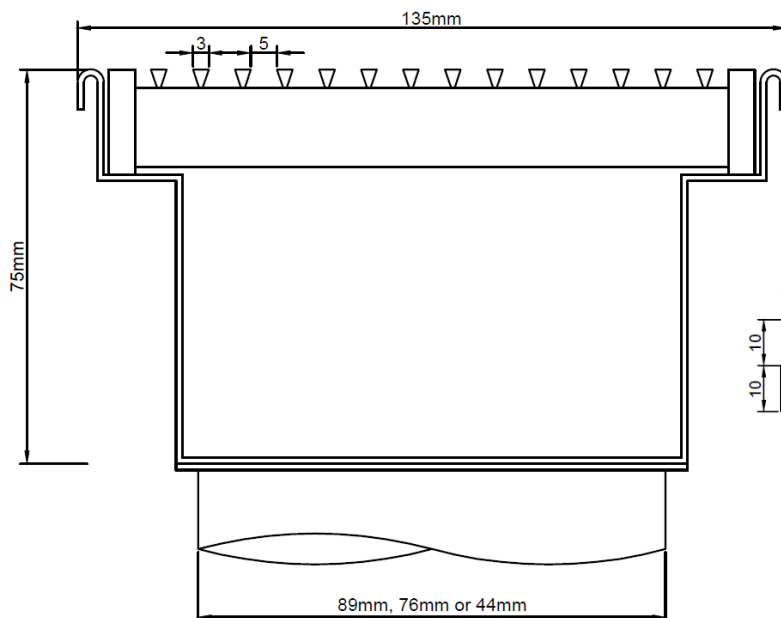
### SSCE13540H:



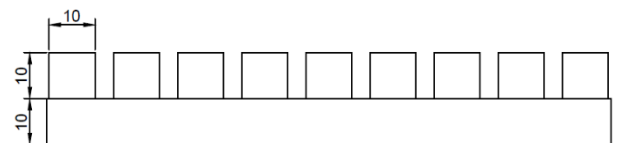
### \*SSTBTO:



### SSCE13575H:



### Heavy Duty Grate Option:



\*DISCLAIMER – All SPS Lineal Grates come with a +/- tolerance of 2mm\*

**Speciality Plumbing Supplies Pty Ltd**

Tel: (02) 9417 1900 Fax: (02) 9417 0108 E-mail: [info@spsdrains.com.au](mailto:info@spsdrains.com.au)