

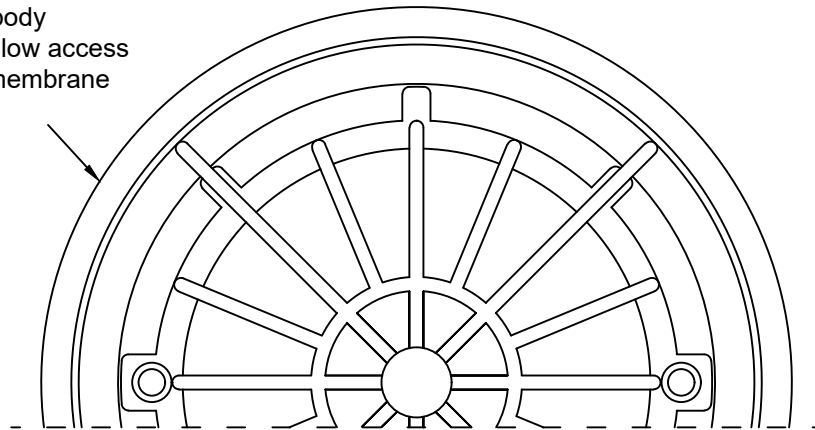
SPS Truflo 100mm & 150mm RWO with Dome Grate & Membrane Clamp

Specification codes:

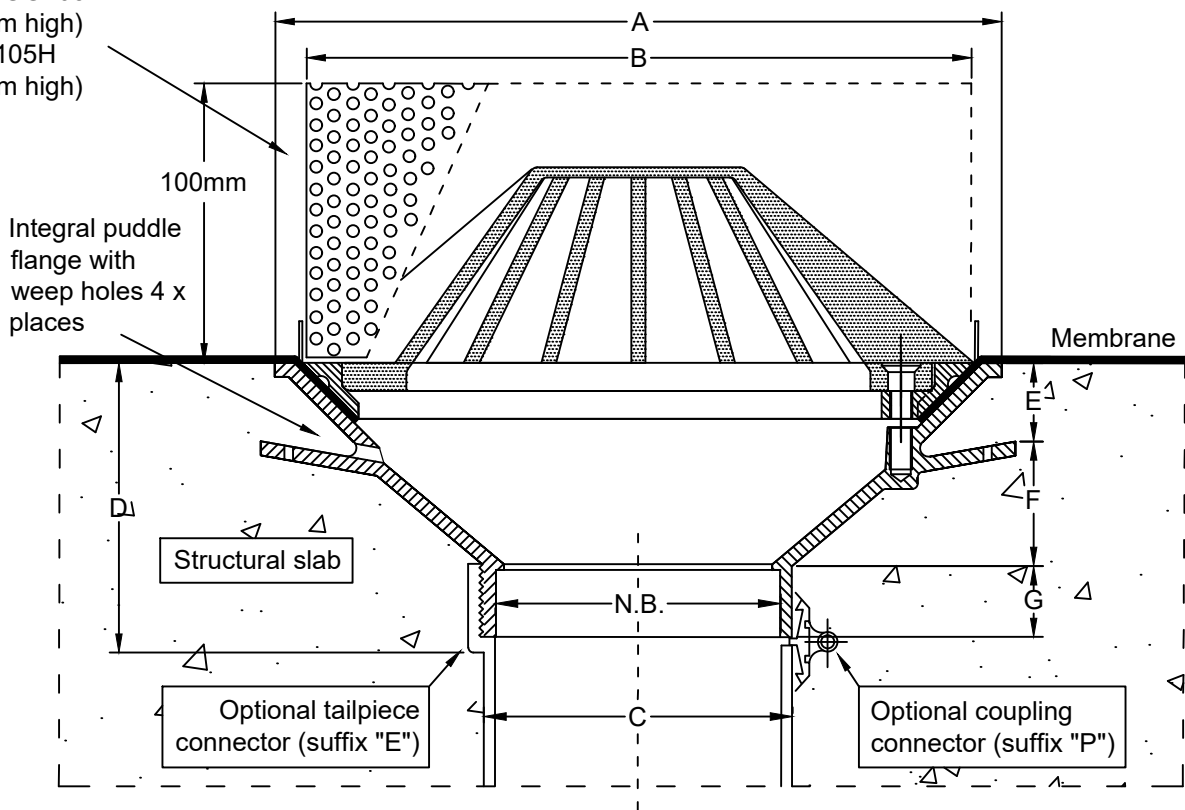
- TIA100D2 (CI body, aluminium dome grate & membrane ring)
- TIB100D2 (CI body, bronze dome grate & membrane ring)
- TBA100D2 (all-bronze assembly)
- for 80mm outlet, use "100/80" instead of "100"
- for 150mm outlet, use "150" instead of "100"

Suggested application:
Roof decks

Membrane ring fastens to body independently of grate to allow access to sump without breaking membrane seal.



Optional 100mm high 304 SS gravel guard for built-up roofs - code - GG105 (100mm high) or GG105H (150mm high)



N.B	A	B	C	D	E	F	G
80	260	240	82	106	28	45	25
100	260	240	103	106	28	45	25
150	260	240	151	86	28	37	25

*For flow rate data please refer to appendix.

Speciality Plumbing Supplies Pty Ltd

Tel: (02) 9417 1900 Fax: (02) 9417 0108 E-mail: info@spsdrains.com.au