

SPS Truflo 100mm & 150mm RWO with Class D Heavy-Duty Flat Grate

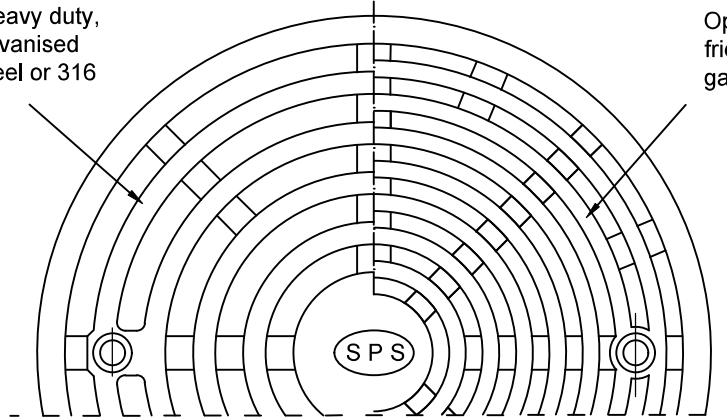
Specification codes:

TIA100F (100mm CI body, galvanised flat grate)
 TIA150F (150mm CI body, galvanised flat grate)
 TIS100F (100mm CI body, 316SS flat grate)
 TIS150F (150mm CI body, 316SS flat grate)
 - for 80mm outlet, use "100/80" instead of "100"

Suggested applications:

Car park decks
 Plant rooms

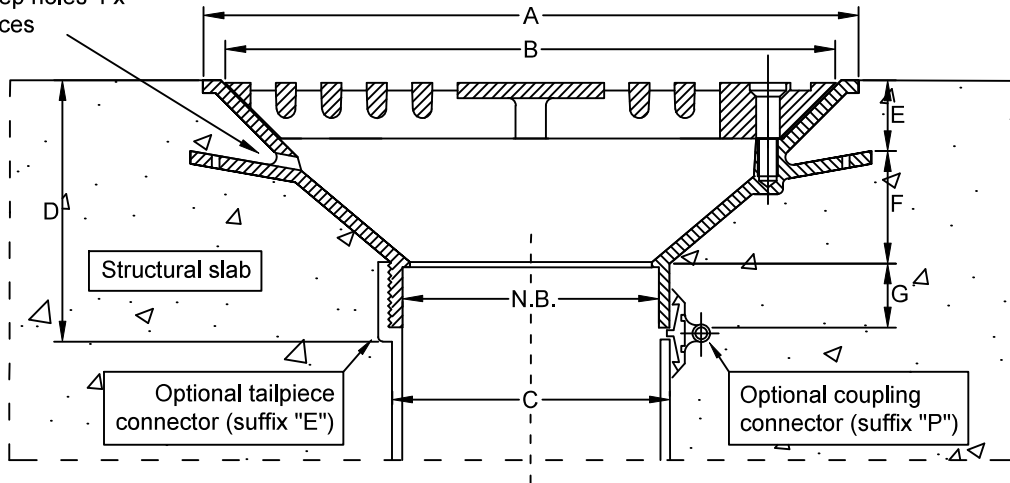
Flat grate in heavy duty,
 hot-dipped galvanised
 mid-carbon steel or 316
 stainless steel



Optional high-heel
 friendly pattern (6mm
 gaps) use suffix -F

Load-tested to Class D of AS3996-2006

Integral puddle
 flange with
 weep holes 4 x
 places



Dimensions (mm)

N.B	A	B	C	D	E	F	G
80	260	240	82	106	28	45	25
100	260	240	103	106	28	45	25
150	260	240	151	86	28	37	25

*For flow rate data please refer to appendix.

Speciality Plumbing Supplies Pty Ltd

Tel: (02) 9417 1900 Fax: (02) 9417 0108 E-mail: info@spsdrains.com.au