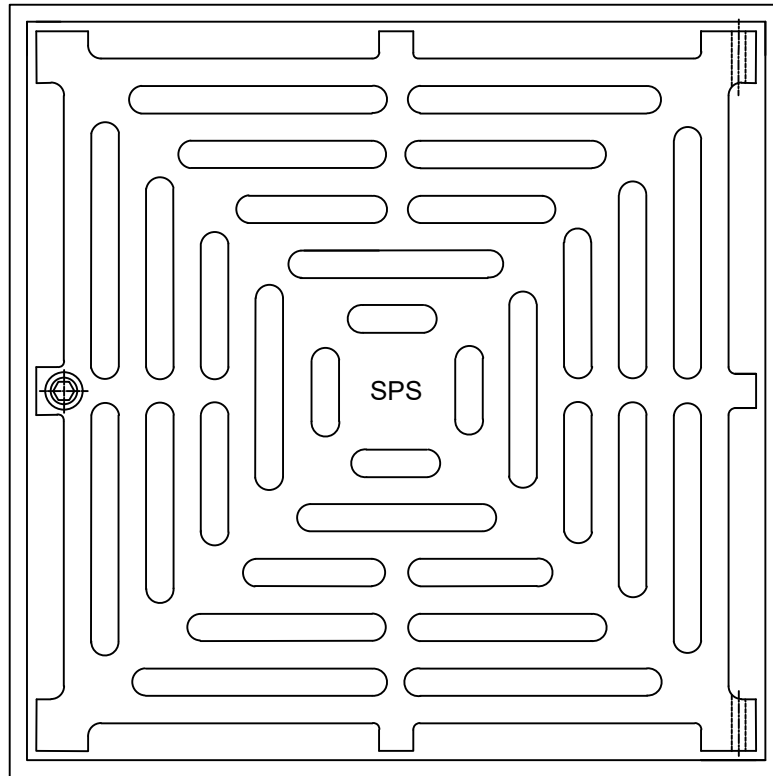


# SPS 200mm Square Push-in Basket Trap for 150mm pipe

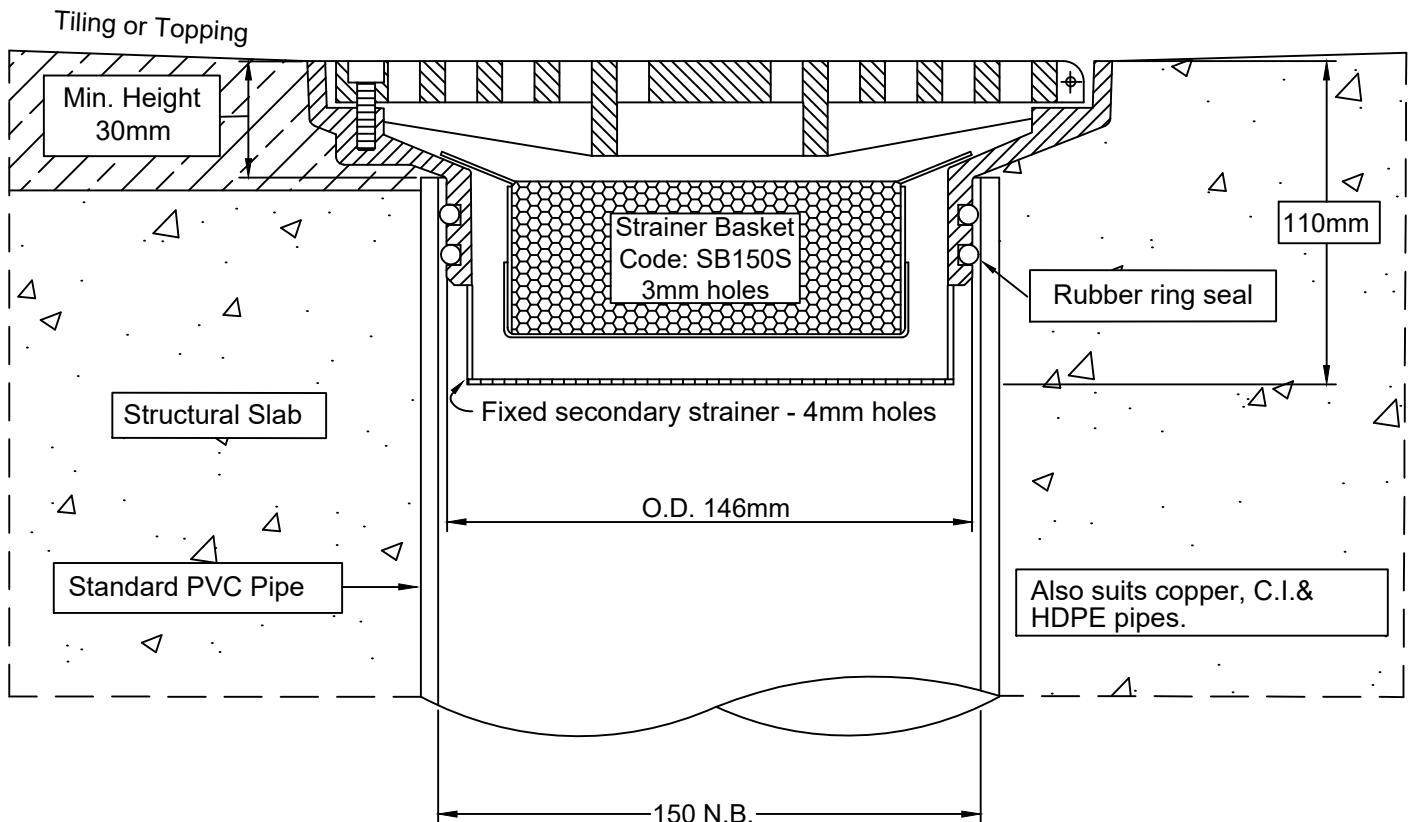
Specification code:  
Q200/150SR-BT (316 stainless steel)

200mm  
Square



- Push-in bucket trap assembly - 316 stainless steel grate assembly.
- Includes stainless steel removable basket and fixed secondary strainer.
- Outlet fits inside 150mm PVC, copper, CI and HDPE.
- Grate assembly load-tested to Class C of AS3996-2006.

## Typical Application



**Speciality Plumbing Supplies Pty Ltd**

Tel: (02) 9417 1900 Fax: (02) 9417 0108 E-mail: [info@spsdrains.com.au](mailto:info@spsdrains.com.au)