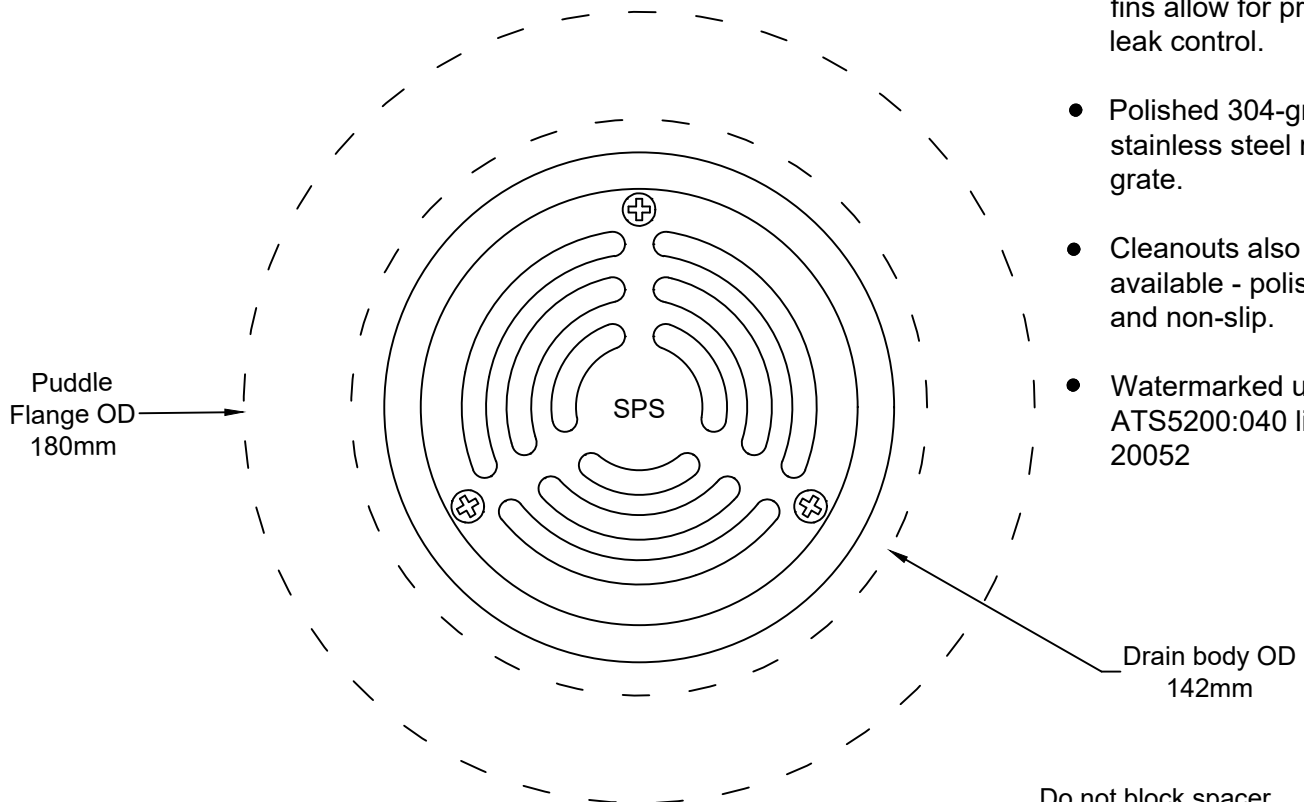


# SPS 100mm Retro-fit Puddle Flange with slip-in Low Profile Vinyl Floor Waste

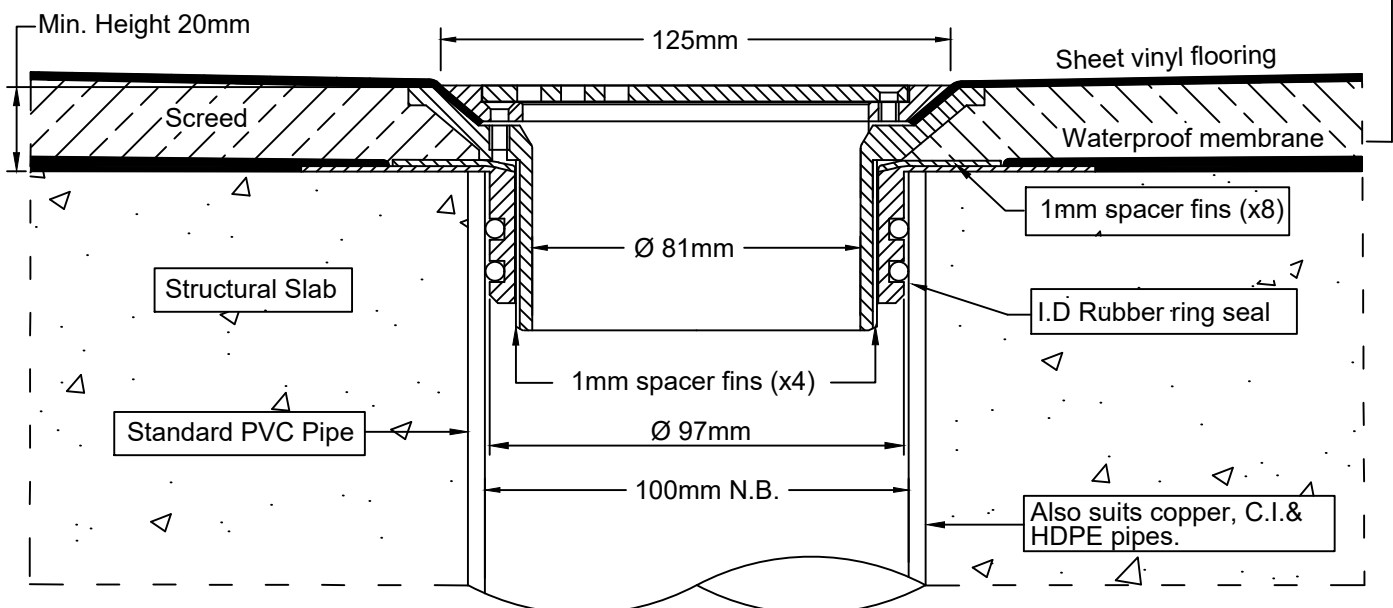
## Specification codes:

Floor waste: LG87SVAP (ABS body, 304SS top)  
 Cleanout (polished) LG87SVPAP (ABS body, 304SS top)  
 Cleanout (non-slip) LG87SVPNAP (ABS body, 304SS top)  
 Includes PF100 puddle flange

- Retro-fit puddle flange with ultra-thin face.
- Low profile vinyl floor waste slips inside I.D. of flange. 1mm spacer fins allow for proper leak control.
- Polished 304-grade stainless steel ring and grate.
- Cleanouts also available - polished and non-slip.
- Watermarked under ATS5200:040 lic. no. 20052



## Typical Application



Speciality Plumbing Supplies Pty Ltd

Tel: (02) 9417 1900 Fax: (02) 9417 0108 E-mail: info@spsdrains.com.au