

# SPS Stainless 110mm Flat Bottom Channel & Tile Insert Grate

## Specification codes:

SSFB11026T (110mm x 26mm suit 10mm tile)

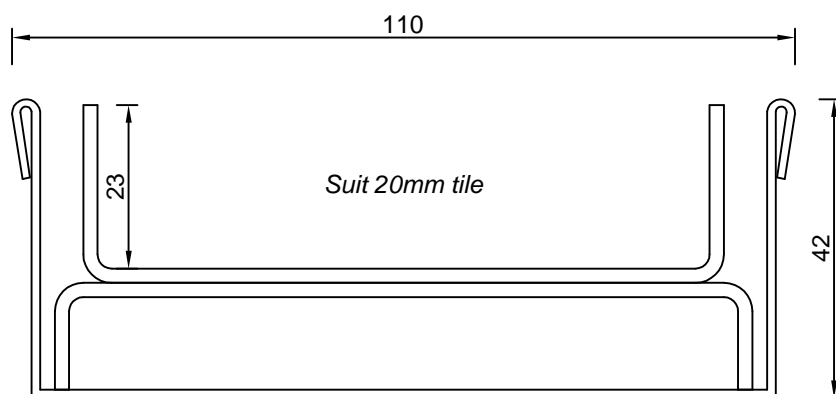
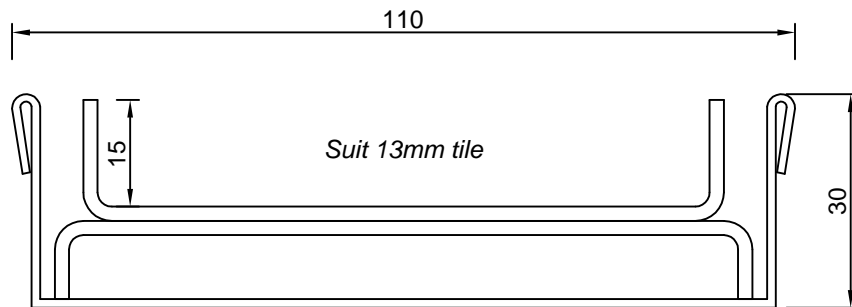
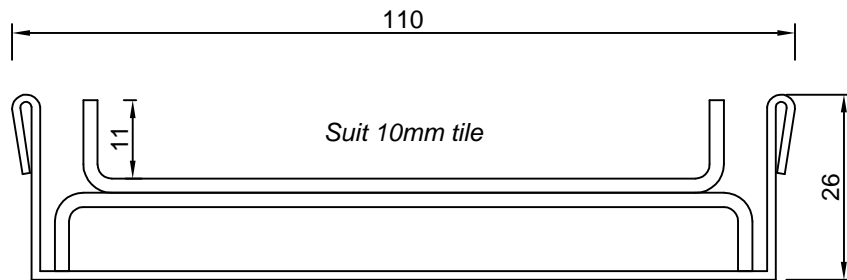
SSFB11030T (110mm x 30mm suit 13mm tile)

SSFB11040T (110mm x 40mm suit 20mm tile)

*Made to length products, outlets can be modular*

## Product Key Points

- Channels made from 1.2mm stainless sheet.
- Tile Inserts made from 2mm stainless sheet.
- End Caps made from 2mm stainless sheet.



Outlets available - 44mm, 76mm, 89mm

**Speciality Plumbing Supplies Pty Ltd**

Tel: (02) 9417 1900 Fax: (02) 9417 0108 E-mail: [info@spsdrains.com.au](mailto:info@spsdrains.com.au)

10.09