

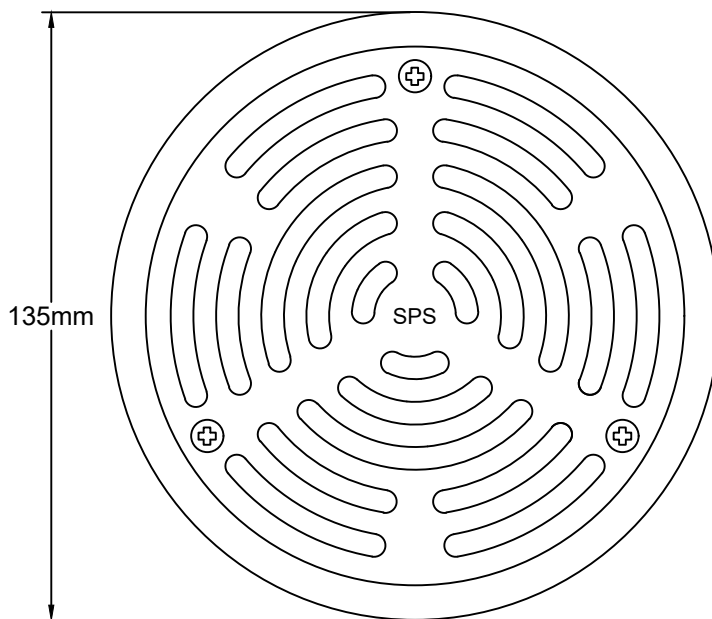
# SPS 100mm Push-in Vinyl Floor Waste & Cleanout with Universal Fin-Seal

**Specification codes:**

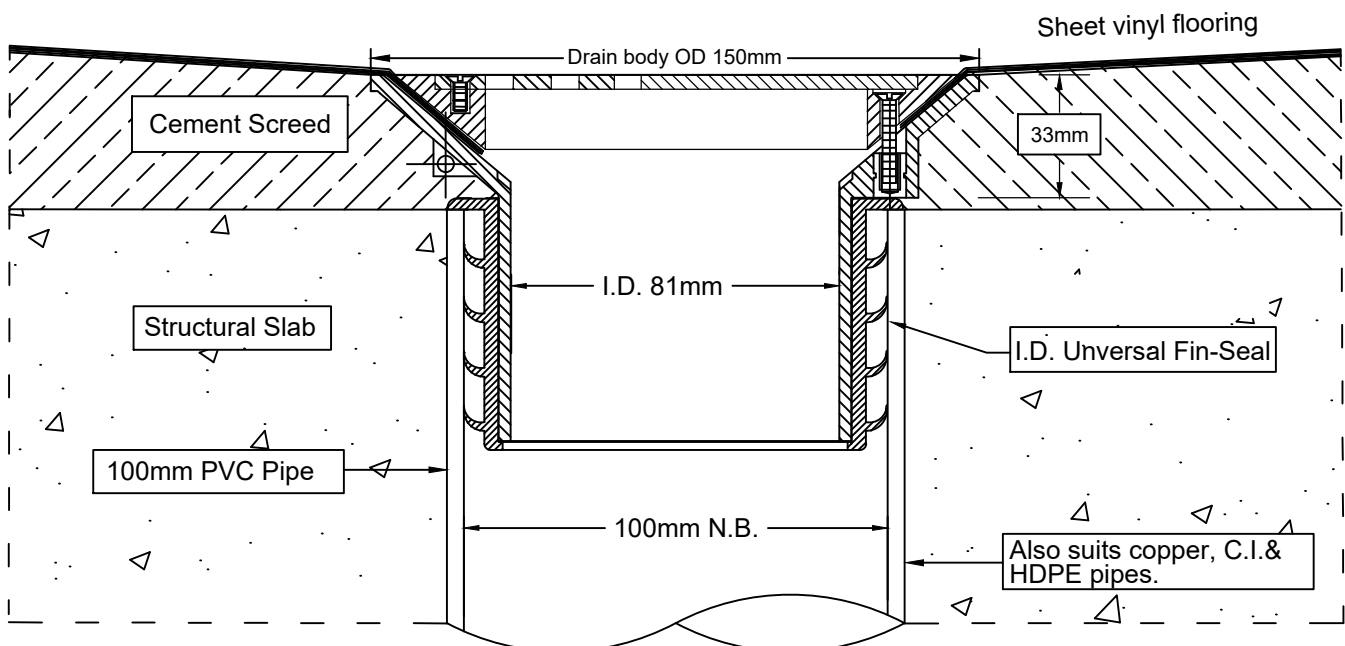
VH87CPA (ABS body, chrome-plated zinc-alloy top)  
 VH87SVA (ABS body, polished 304SS)\*  
 Cleanout (polished) VH87SPA (ABS body, 304SS\* top)  
 Cleanout (non-slip) VH87SPNA (ABS body, 304SS\* top)  
 \* for 316, use "6" as suffix, eg "VH87SVA6"

- Vinyl floor waste slips inside 100mm PVC, HDPE and copper with the same Universal Fin-Seal connector.
- Grates/rings available in chrome-plated zincalloy, polished 304SS and satin 316SS.
- Cleanout tops available in polished or non-slip 304SS. 316SS non-stock option.

\*5mm bar x 5mm gap heel friendly design\*



Typical Application



**Speciality Plumbing Supplies Pty Ltd**

Tel: (02) 9417 1900 Fax: (02) 9417 0108 E-mail: info@spsdrains.com.au