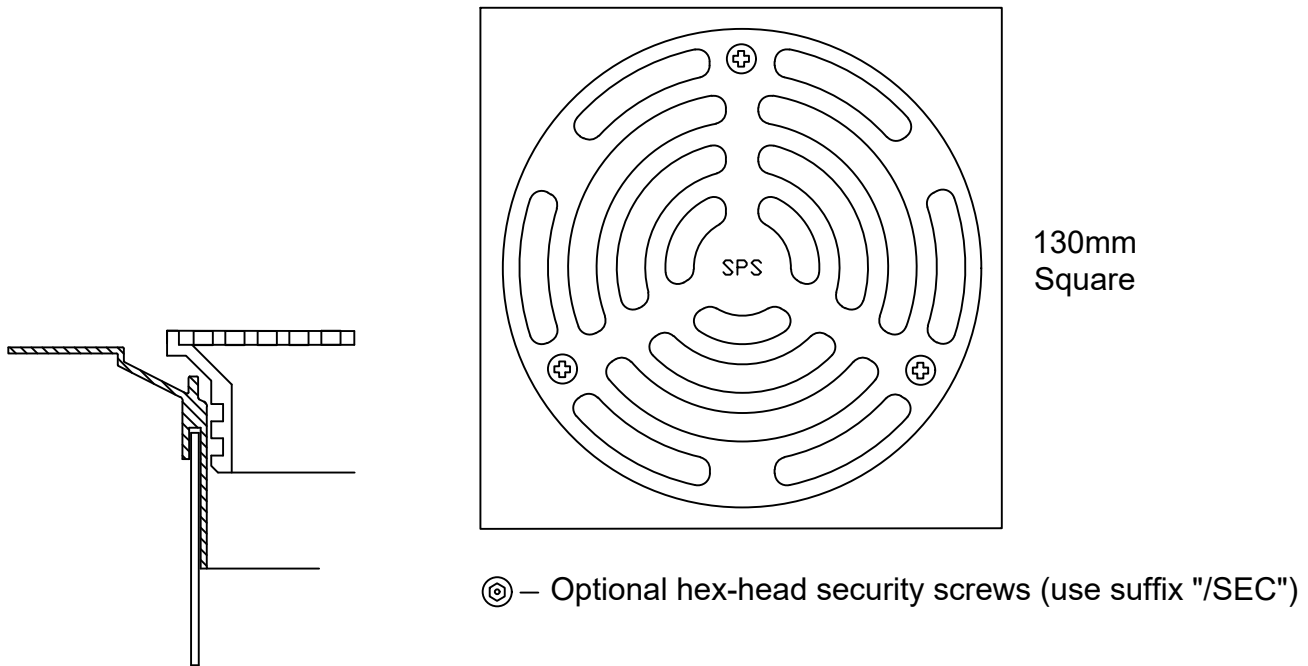


SPS 130mm Square Push-in Floor Drain

100mm outlet
(circular grate insert)

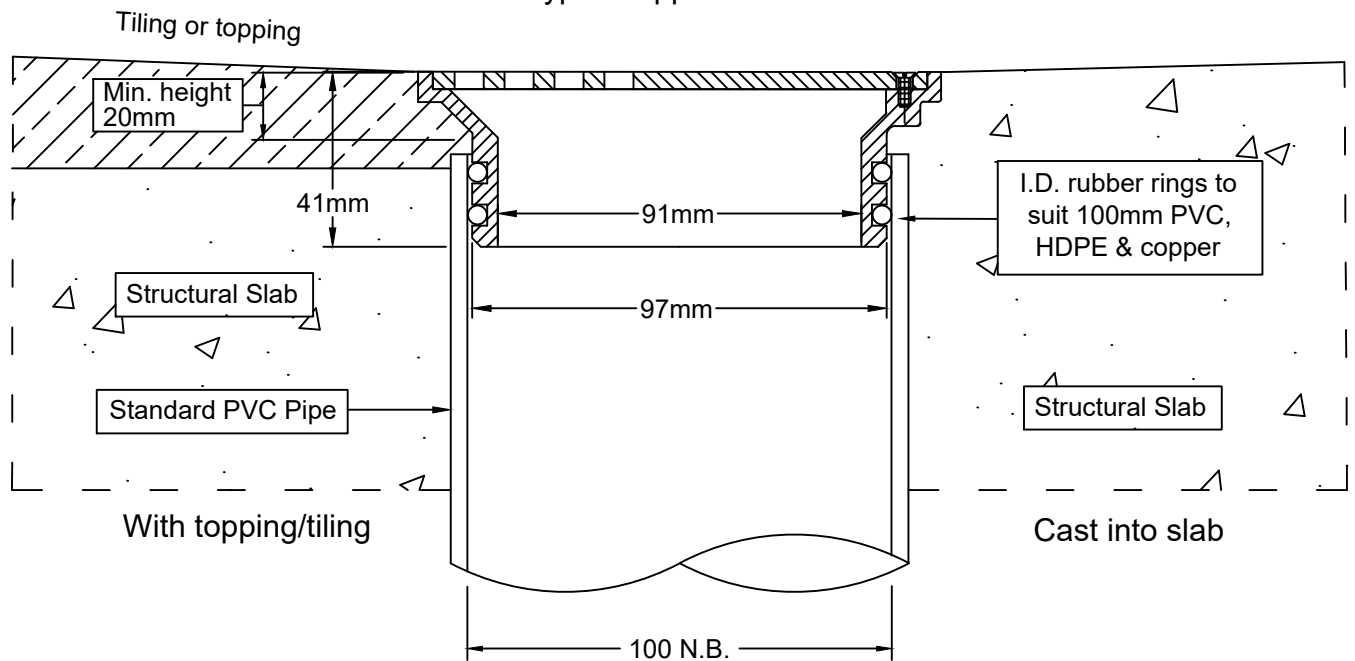
Specification code:
Q130SR24 (polished 304SS)
Q130SR26 (satin 316SS *special order*)

Suggested match for square cleanout model Q130SCR
(see section 7)



Installation with puddle flange

Typical Applications



Speciality Plumbing Supplies Pty Ltd

Tel: (02) 9417 1900 Fax: (02) 9417 0108 E-mail: info@spsdrains.com.au