

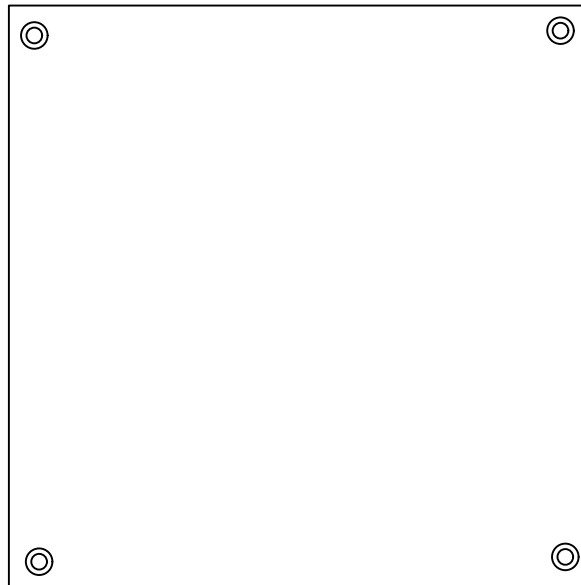
SPS 150mm & 200mm Square Inspection Cover

Specification code:

IO150S (304 stainless steel)

IO200S (304 stainless steel)

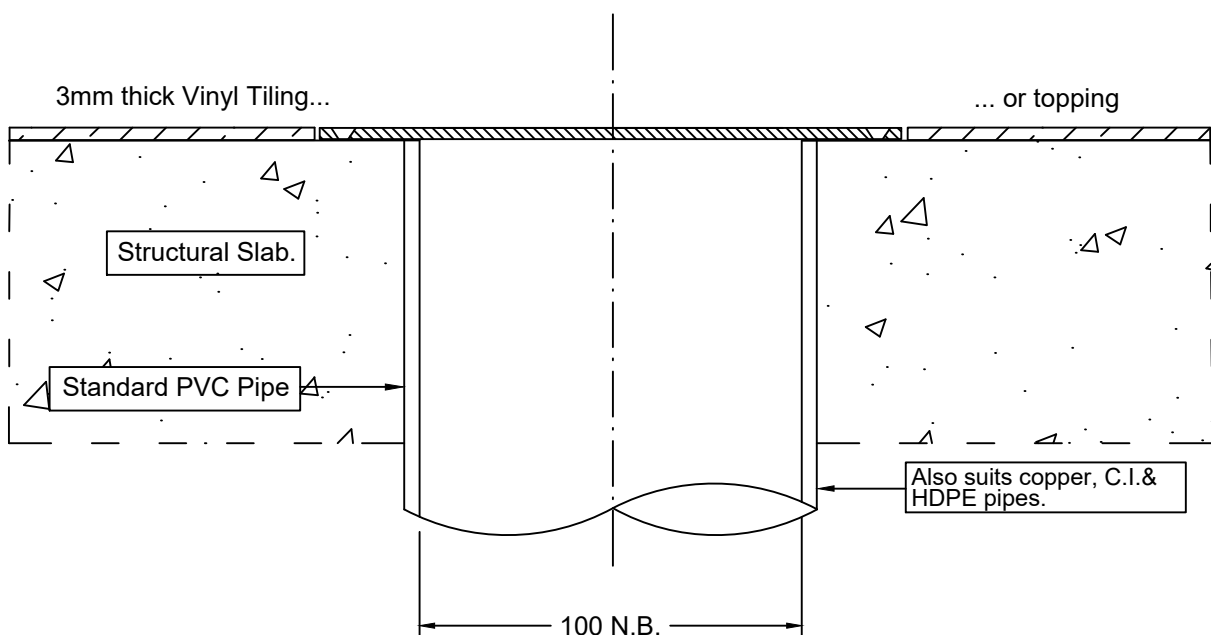
150mm
or
200mm
Square



- Inspection opening cover available in 304 stainless steel. 316 stainless steel non-stock option.
- 3mm thick plate compatible with 3mm vinyl tiling commonly used in supermarkets.

4 x countersunk holes as standard

Typical Application



Speciality Plumbing Supplies Pty Ltd

Tel: (02) 9417 1900 Fax: (02) 9417 0108 E-mail: info@spsdrains.com.au