

SPS 210mm Heel-Guard Lineal Grate & Crushed Edge Channel

Specification Codes:

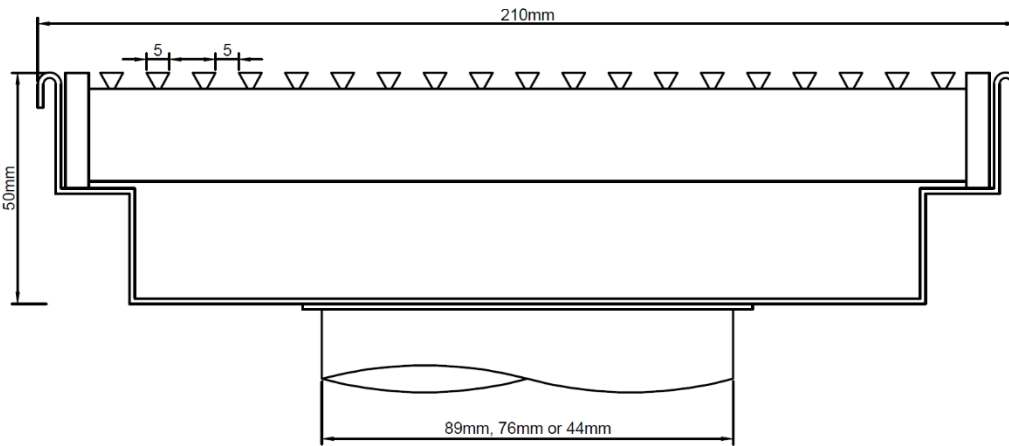
SSCE20050H – 210mm wide x 50mm deep (89mm, 76mm & 44mm outlets)

SSCE200100H – 210mm wide x 100mm deep (89mm, 76mm & 44mm outlets)

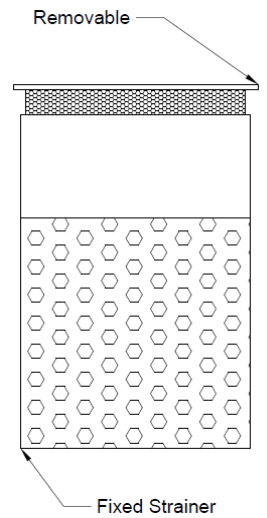
SSTBTO – Basket Trap outlet to suit *

- Architectural Heel-Guard Grate
- Complete 316SS Assembly
- Other depths between 50mm & 140mm available (CUSTOM).
- Available with:
 - Basket Trap Outlet

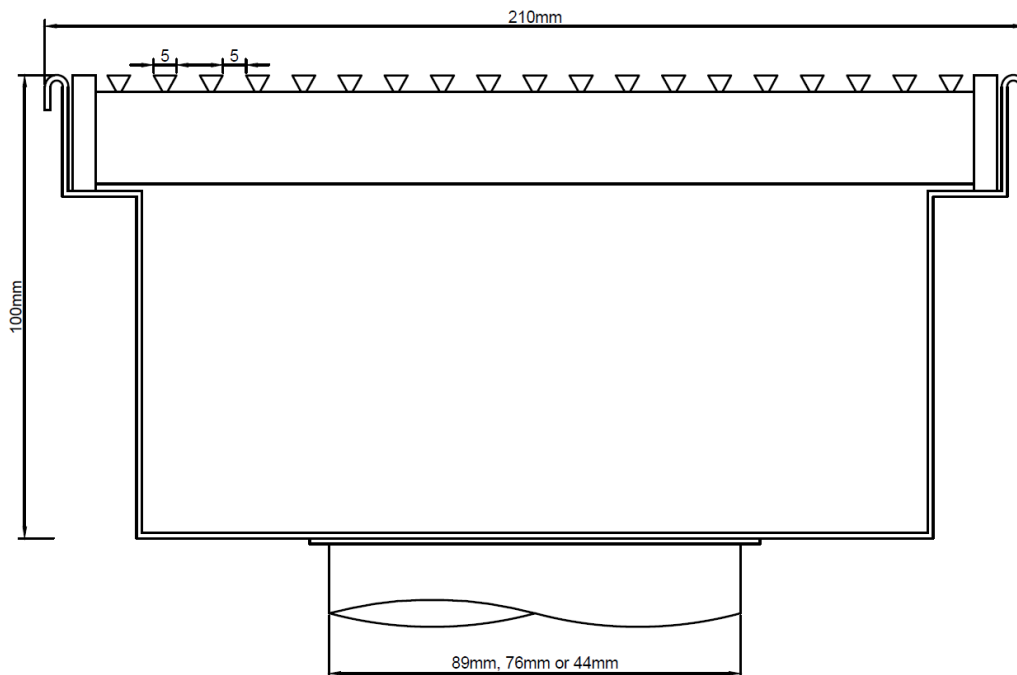
SSCE20050H:



***SSTBTO:**



SSCE150100H:



DISCLAIMER – All SPS Lineal Grates come with a +/- tolerance of 2mm

Speciality Plumbing Supplies Pty Ltd

Tel: (02) 9417 1900 Fax: (02) 9417 0108 E-mail: info@spsdrains.com.au