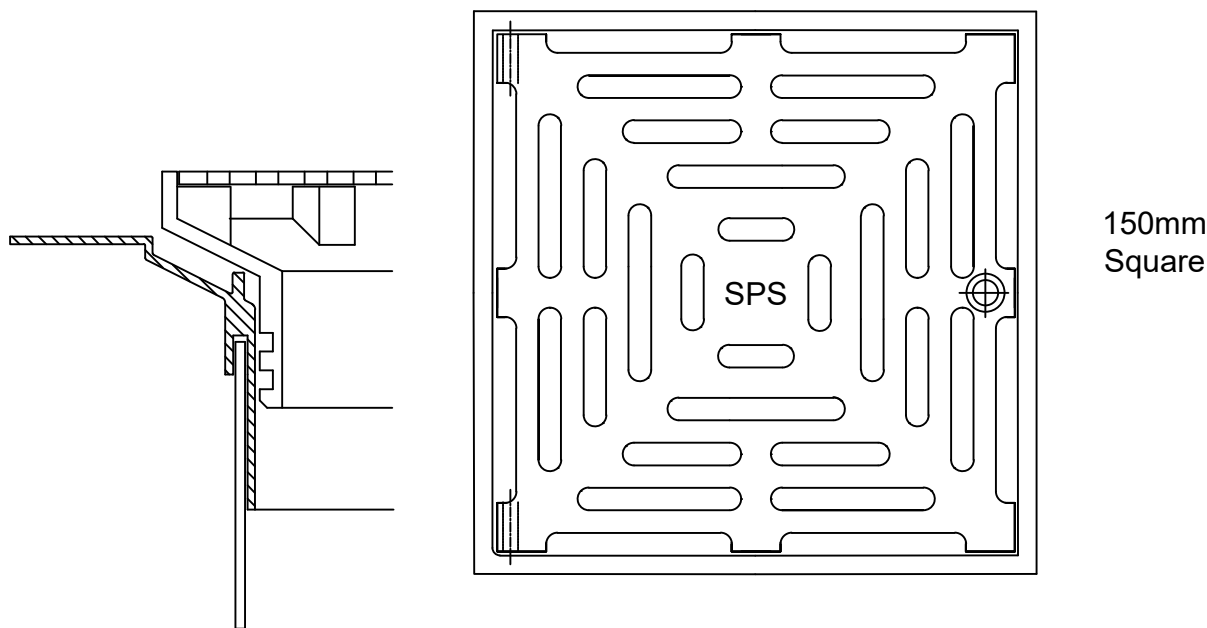


# SPS 150mm Square Push-in Floor Drain

## 100mm Outlet

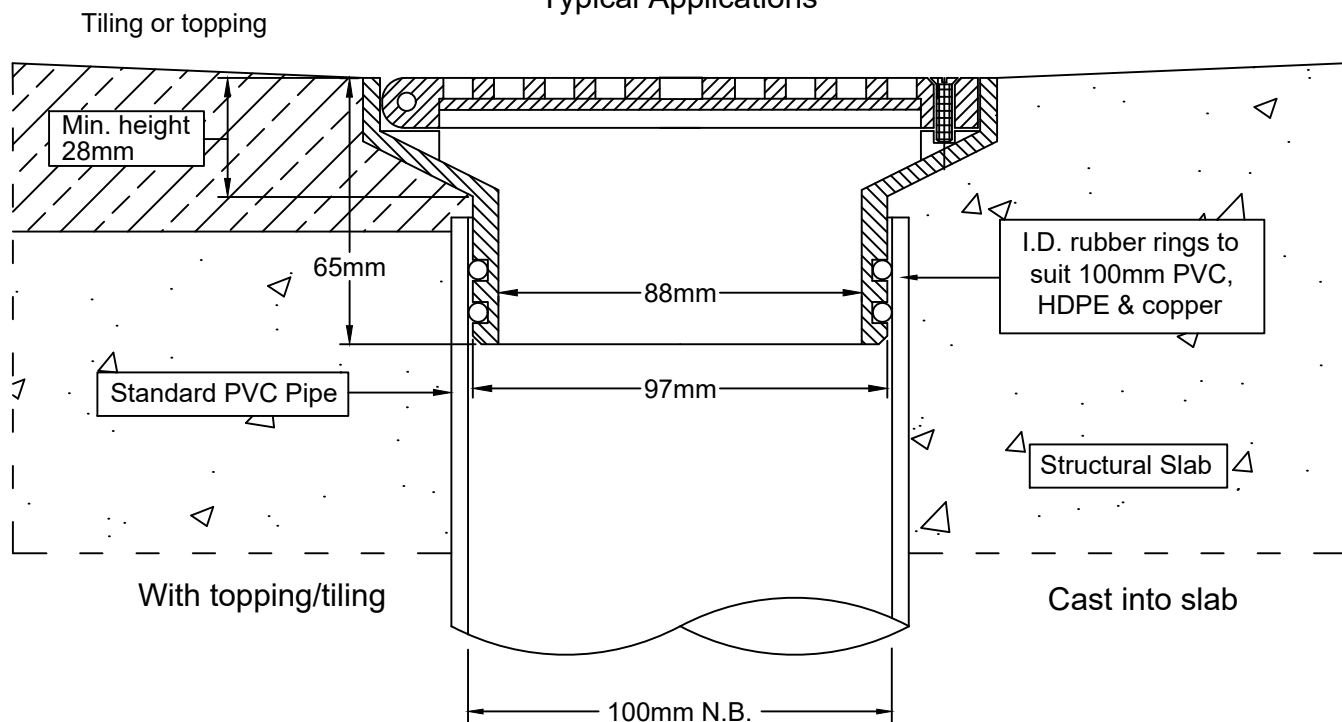
Specification codes:  
 Q150GR (linished bronze) \*special order\*  
 Q150NR (linished nickel bronze) \*special order\*  
 Q150SR4 (polished 304 stainless steel)  
 Q150SR (satin 316 stainless steel)

High-heel friendly pattern (6mm gaps)



Installation with puddle flange

### Typical Applications



\*For flow rate data please refer to appendix.

## Speciality Plumbing Supplies Pty Ltd

Tel: (02) 9417 1900 Fax: (02) 9417 0108 E-mail: info@spsdrains.com.au