

SPS 150mm Square Floor Waste with 100mm Lo-profile Retro-fit Puddle Flange

Specification codes:

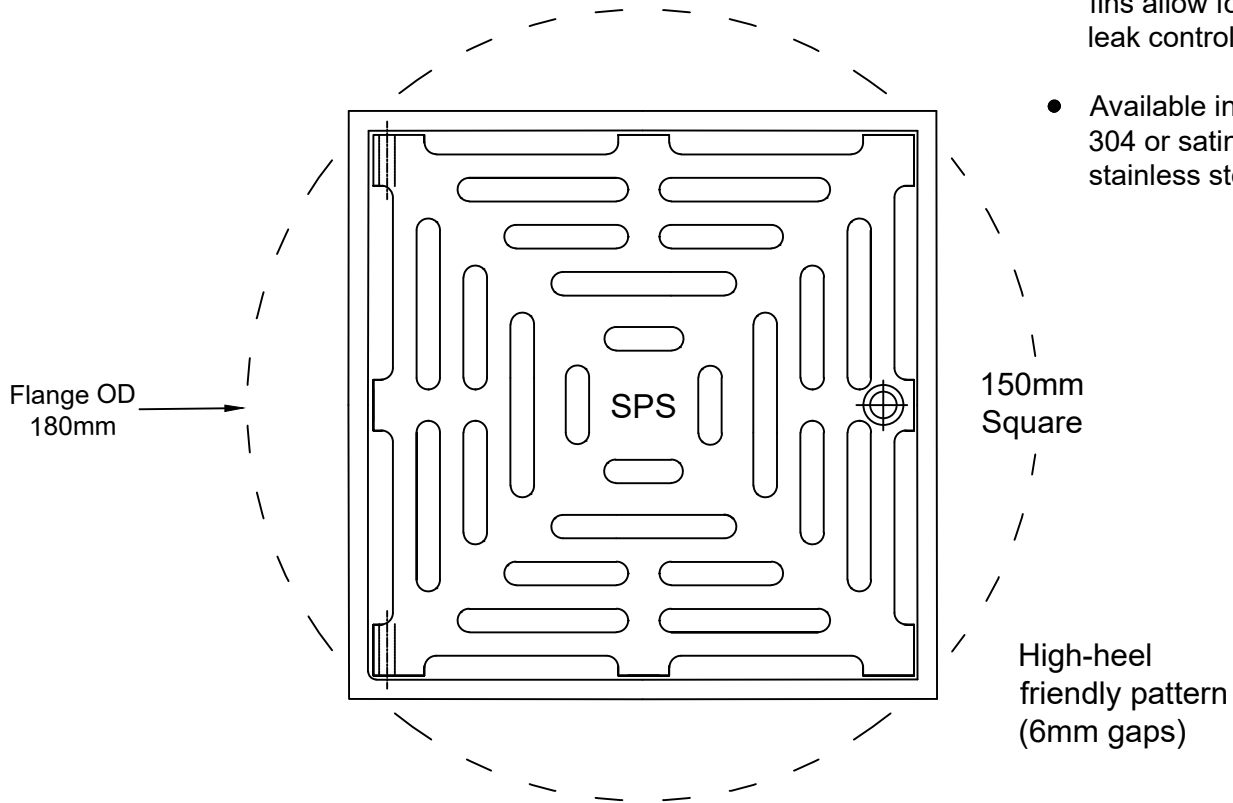
QH150/87S4/PF (Polished 304 Stainless Steel)

QH150/87S6/PF (Satin 316 Stainless Steel)

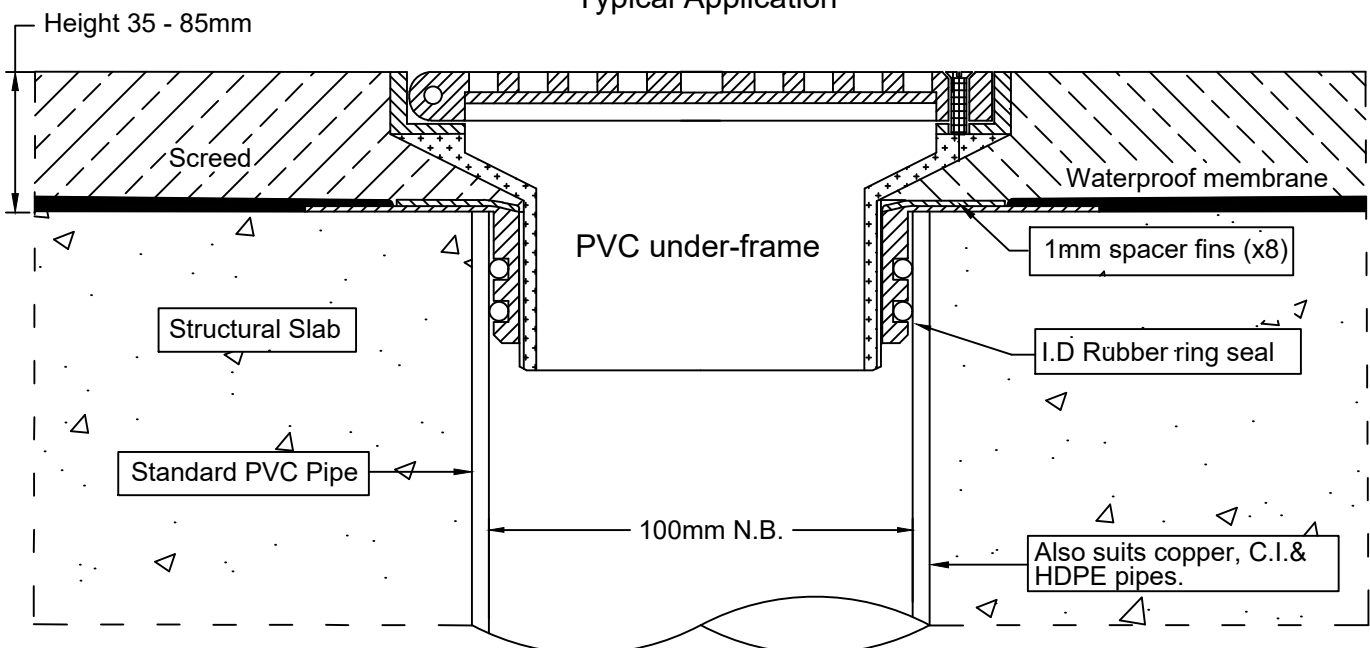
Includes 100mm retro-fit puddle flange in ABS plastic

*Note: underframe of grate assembly is PVC plastic

- Retro-fit puddle flange with ultra-thin profile.
- Floor waste assembly slips inside I.D. of flange. 1mm spacer fins allow for proper leak control.
- Available in polished 304 or satin 316 stainless steel.



Typical Application



Speciality Plumbing Supplies Pty Ltd

Tel: (02) 9417 1900 Fax: (02) 9417 0108 E-mail: info@spsdrains.com.au