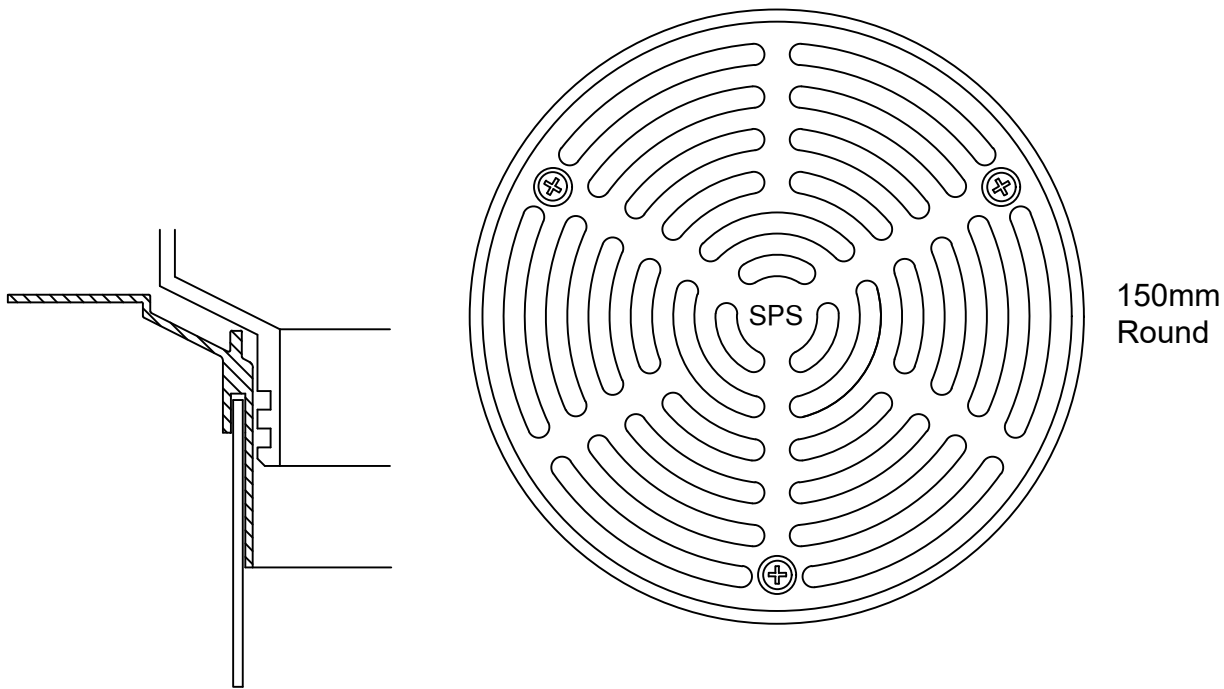


SPS 150mm Round Push-in Floor Drain

100mm Outlet

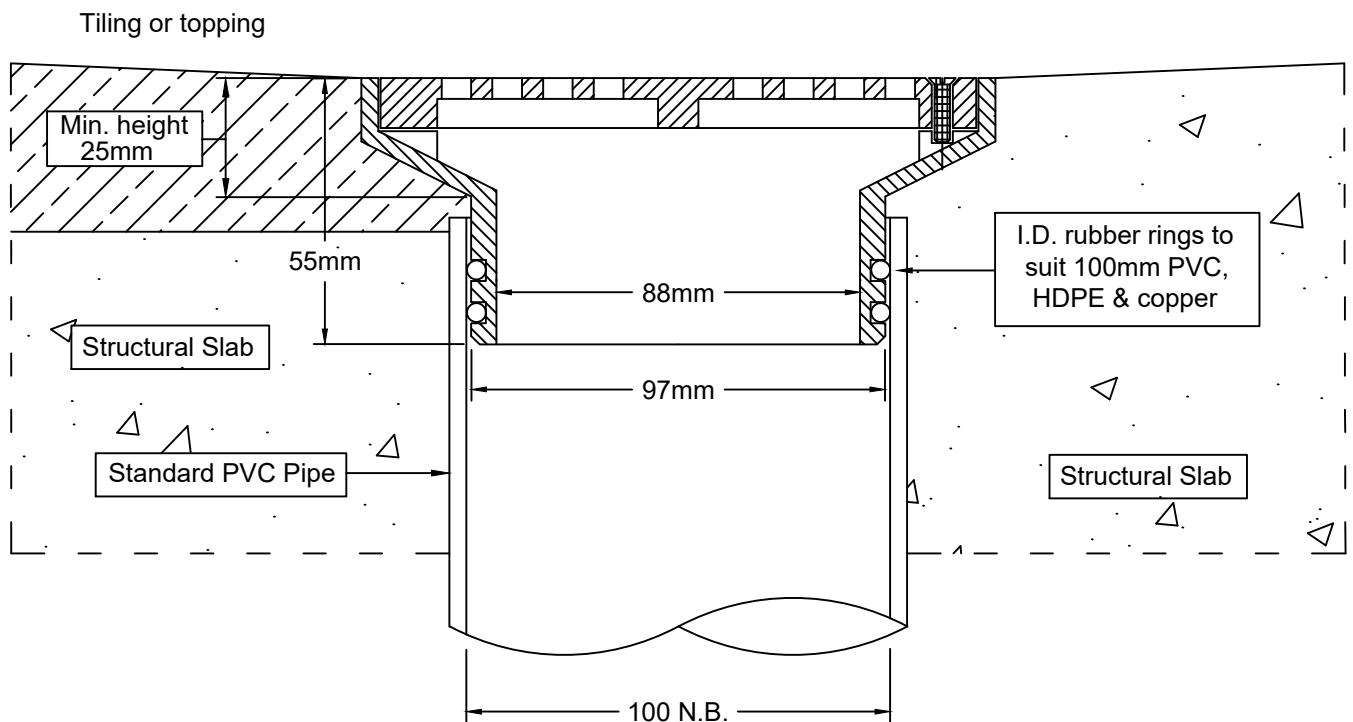
Specification codes:
 R150GR (finished bronze) *special order*
 R150NR (finished nickel bronze) *special order*
 R150SR (satin 316 stainless steel)
 R150SR4 (polished 304 stainless steel)

High-heel friendly pattern (5mm gaps)



Installation with puddle flange

Typical Application



*For flow rate data please refer to appendix.

Speciality Plumbing Supplies Pty Ltd

Tel: (02) 9417 1900 Fax: (02) 9417 0108 E-mail: info@spsdrains.com.au