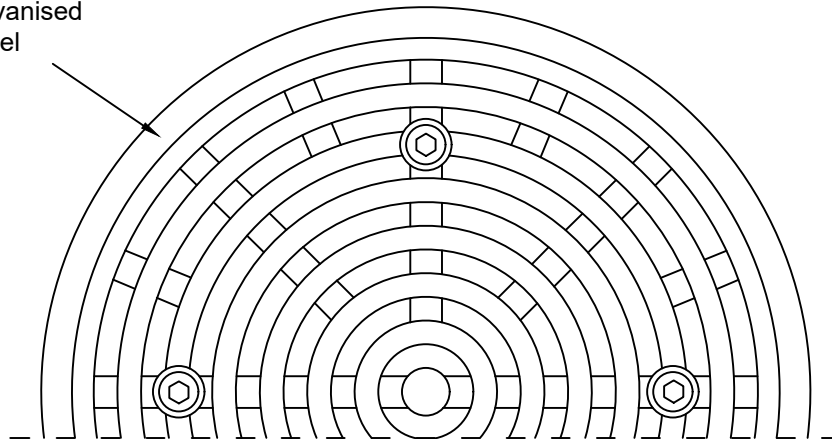


SPS 150mm Superflo RWO with Class D Heavy Duty Flat Grate

Specification codes:
SIA150F (150mm Superflo CI body, galvanised flat grate)

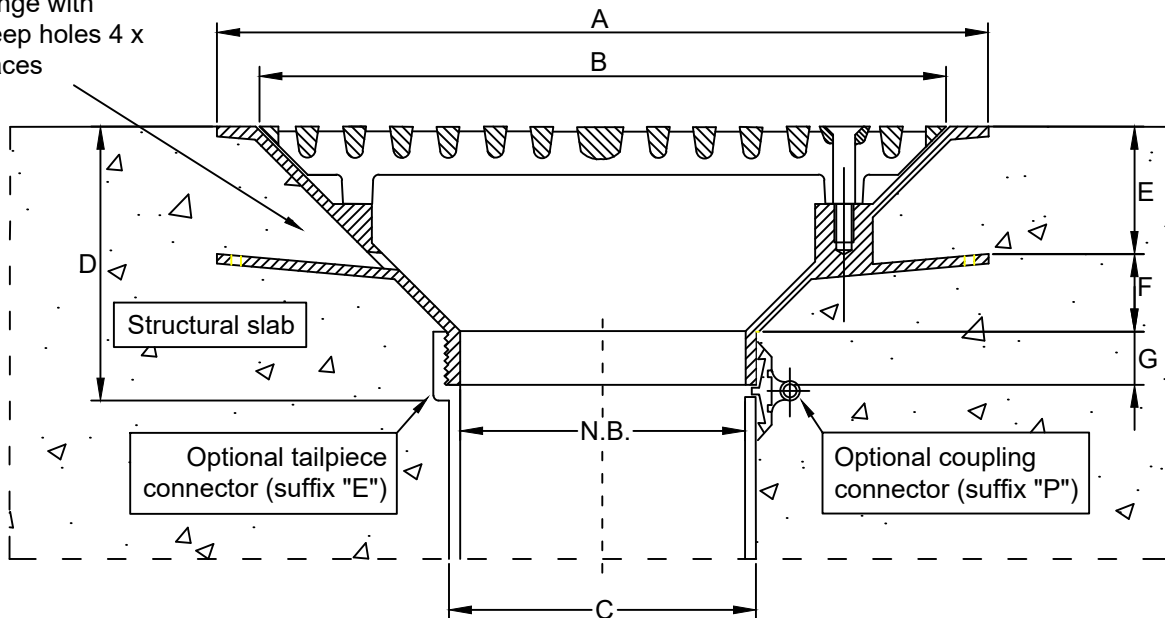
Suggested applications:
Car park decks, especially
roof top car parks

Flat grate in heavy duty,
hot-dipped galvanised
mid-carbon steel



Load-tested to class D of AS3996-2006

Integral puddle
flange with
weep holes 4 x
places



N.B.	A	B	C	D	E	F	G
150	400	356	151	150	66	39	38

*For flow rate data please refer to appendix.

Speciality Plumbing Supplies Pty Ltd

Tel: (02) 9417 1900 Fax: (02) 9417 0108 E-mail: info@spsdrains.com.au