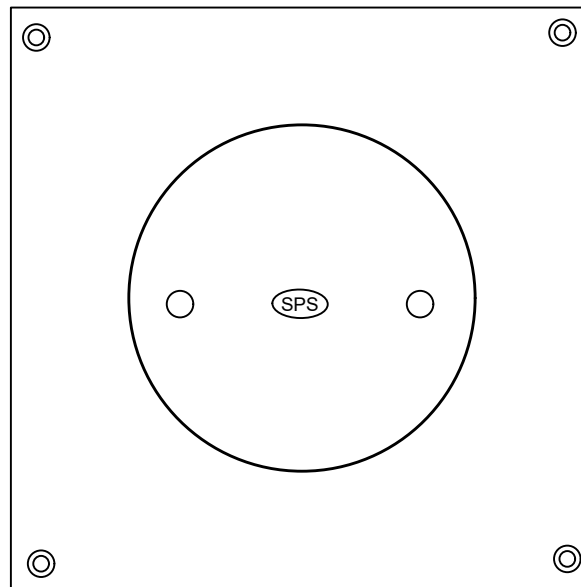


SPS 150mm Square Special Trap Screw

100mm Outlet

Specification code:
Q150IOS (304 stainless steel - slip resistant finish)

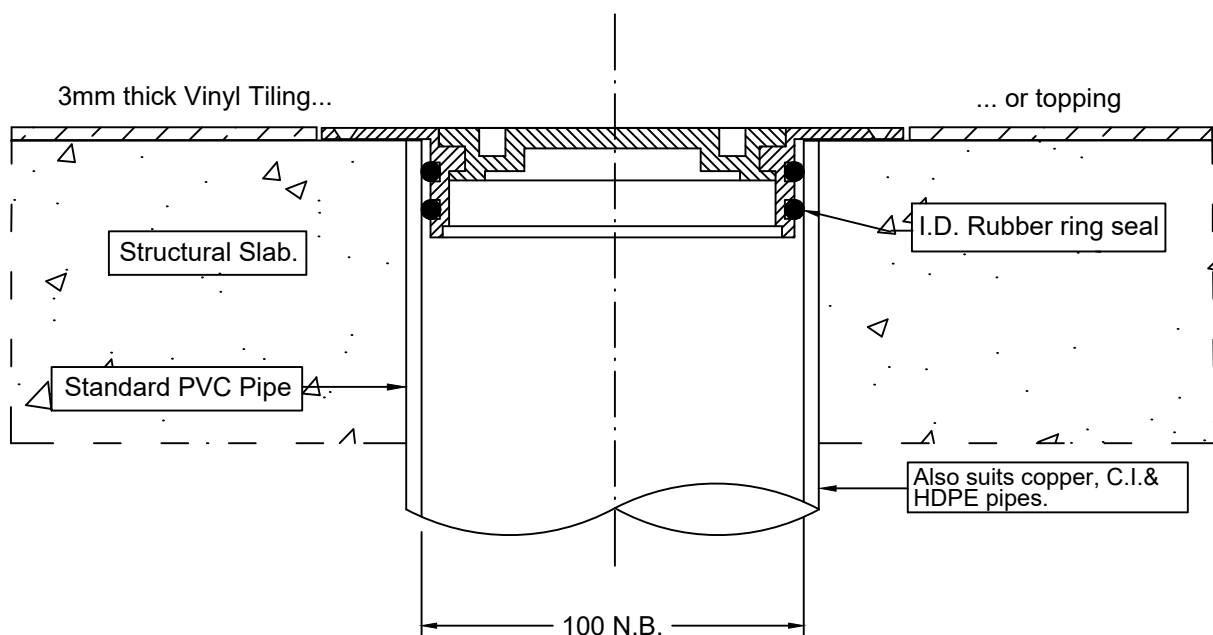
150mm
Square



- Push-in trap screw / inspection opening available in 304 stainless steel. 316 stainless steel non-stock option.
- 3mm thick plate compatible with 3mm vinyl tiling commonly used in supermarkets.

4 x countersunk holes as standard

Typical Application



Speciality Plumbing Supplies Pty Ltd

Tel: (02) 9417 1900 Fax: (02) 9417 0108 E-mail: info@spsdrains.com.au