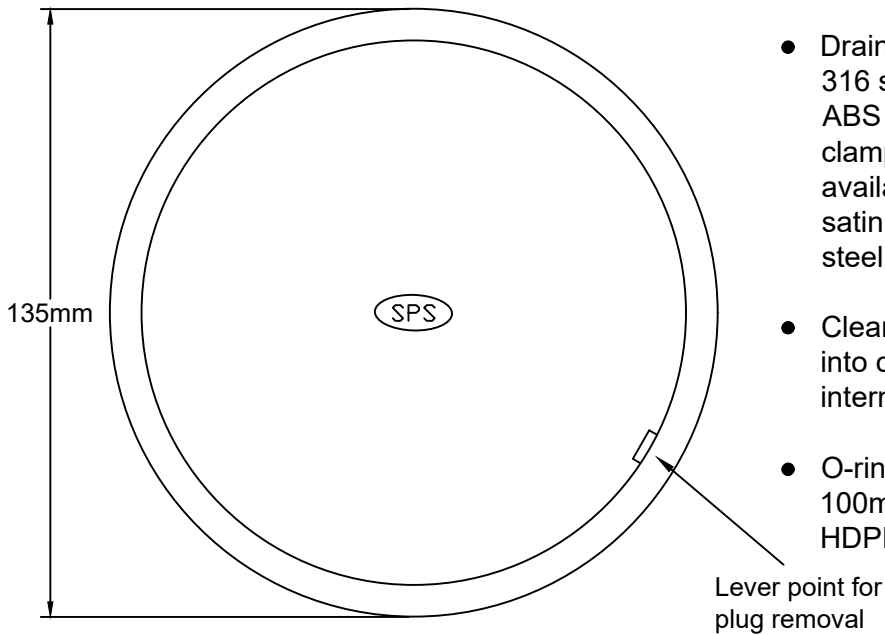


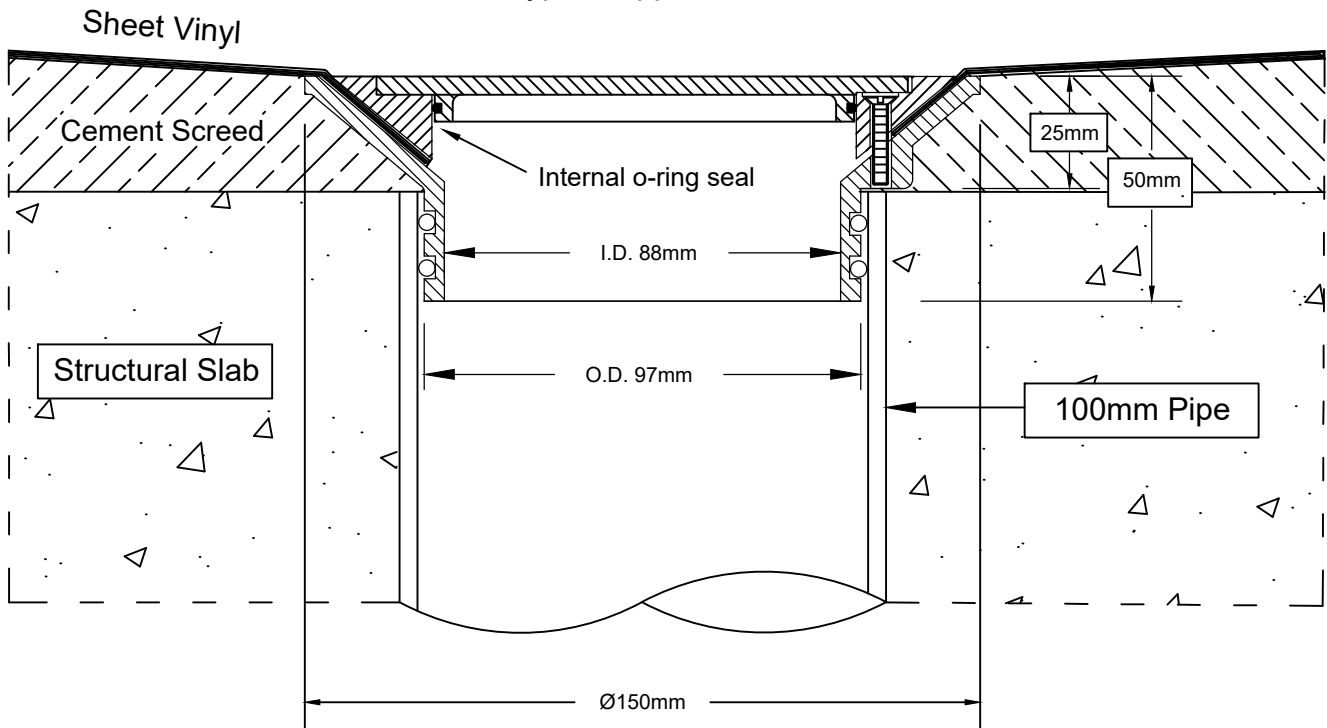
SPS 100mm Push-in Sheet Vinyl Floor Cleanout (special "plug insert" version)

Specification codes:
 V100SP26A (316SS body, satin 316 SS ring & lid)
 For ABS plastic body, use "VH" instead of "V"

- Removal of fixing screws for cleanliness in lab environments
- Push-in floor cleanout assembly for sheet vinyl flooring.
- Drain body available in 316 stainless steel or ABS plastic. Vinyl clamp ring & lid available in polished or satin 316 stainless steel.
- Cleanout insert seals into clamp ring with internal o-ring seal.
- O-rings adapt spigot to 100mm PVC, copper, HDPE and CI pipe.



Typical Application



Speciality Plumbing Supplies Pty Ltd

Tel: (02) 9417 1900 Fax: (02) 9417 0108 E-mail: info@spsdrains.com.au