

SPS 150mm & 225mm Superflo RWO with Class D Heavy Duty Flat Grate

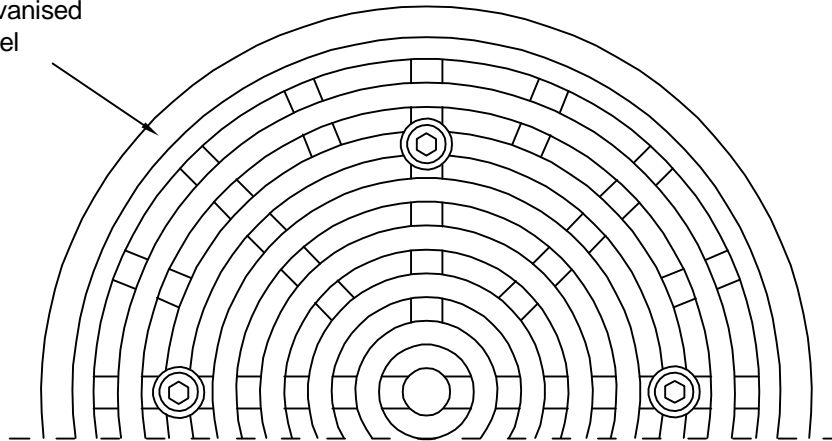
Specification codes:

SIA150F (150mm Superflo CI body, galvanised flat grate)
 SIA225F (225mm Superflo CI body, galvanised flat grate)

Suggested applications:

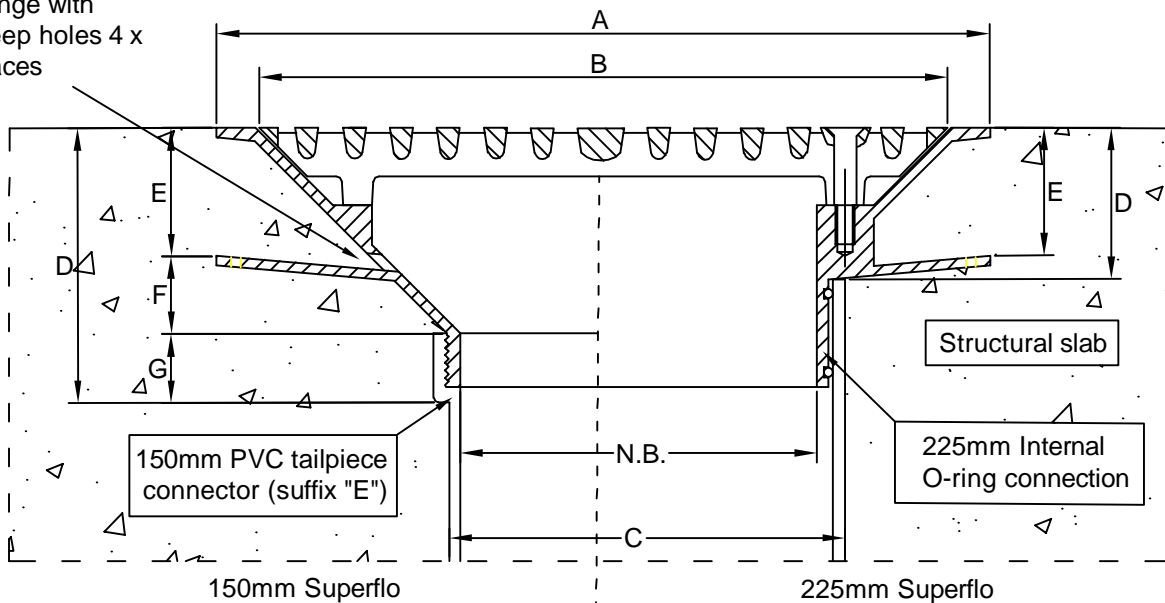
Car park decks, especially roof top car parks

Flat grate in heavy duty, hot-dipped galvanised mid-carbon steel



Load-tested to class D of AS3996-2006

Integral puddle flange with weep holes 4 x places



N.B.	A	B	C	D	E	F	G
150	400	356	151	150	66	39	38
225	400	356	250	80	66	n/a	n/a

*For flow rate data please refer to appendix.

Speciality Plumbing Supplies Pty Ltd

Tel: (02) 9417 1900 Fax: (02) 9417 0108 E-mail: info@spsdrains.com.au