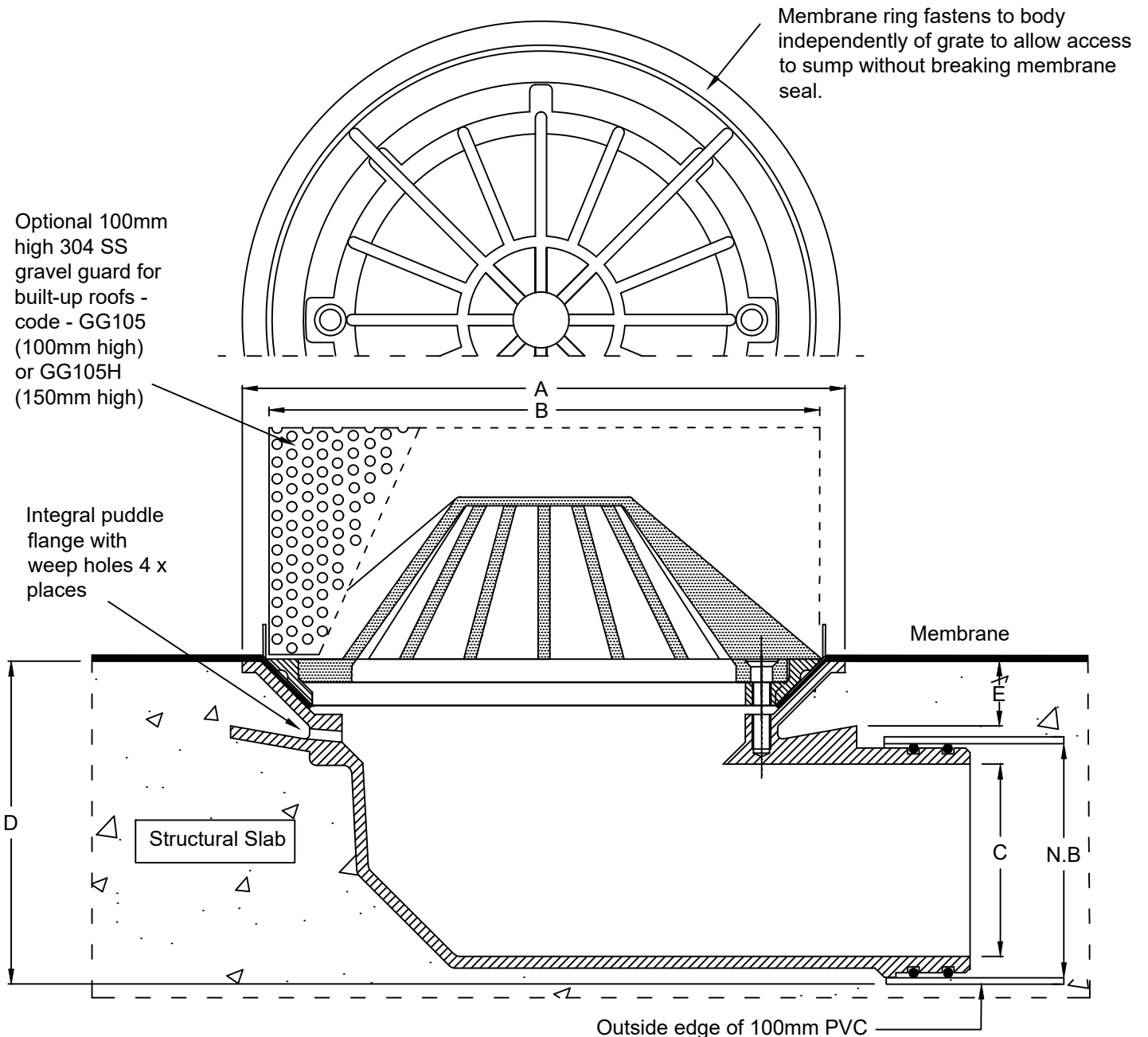


SPS Truflo 80mm & 100mm 90° RWO with Dome Grate & Membrane Ring

Specification codes:

TIA80/90D2 (80mm CI body, aluminium clamp ring & dome)
 TIB80/90D2 (80mm CI body, bronze ring & dome)
 TIA100/90D2 (100mm CI body, aluminium clamp ring & dome)
 TIB100/90D2 (100mm CI body, bronze ring & dome)

Suggested applications:
 Roof decks with pipe cast in



N.B.	A	B	C	D	E
80	260	240	62	115	28
100	260	240	83	140	28

*For flow rate data please refer to the appendix.

Speciality Plumbing Supplies Pty Ltd

Tel: (02) 9417 1900 Fax: (02) 9417 0108 E-mail: info@spsdrains.com.au