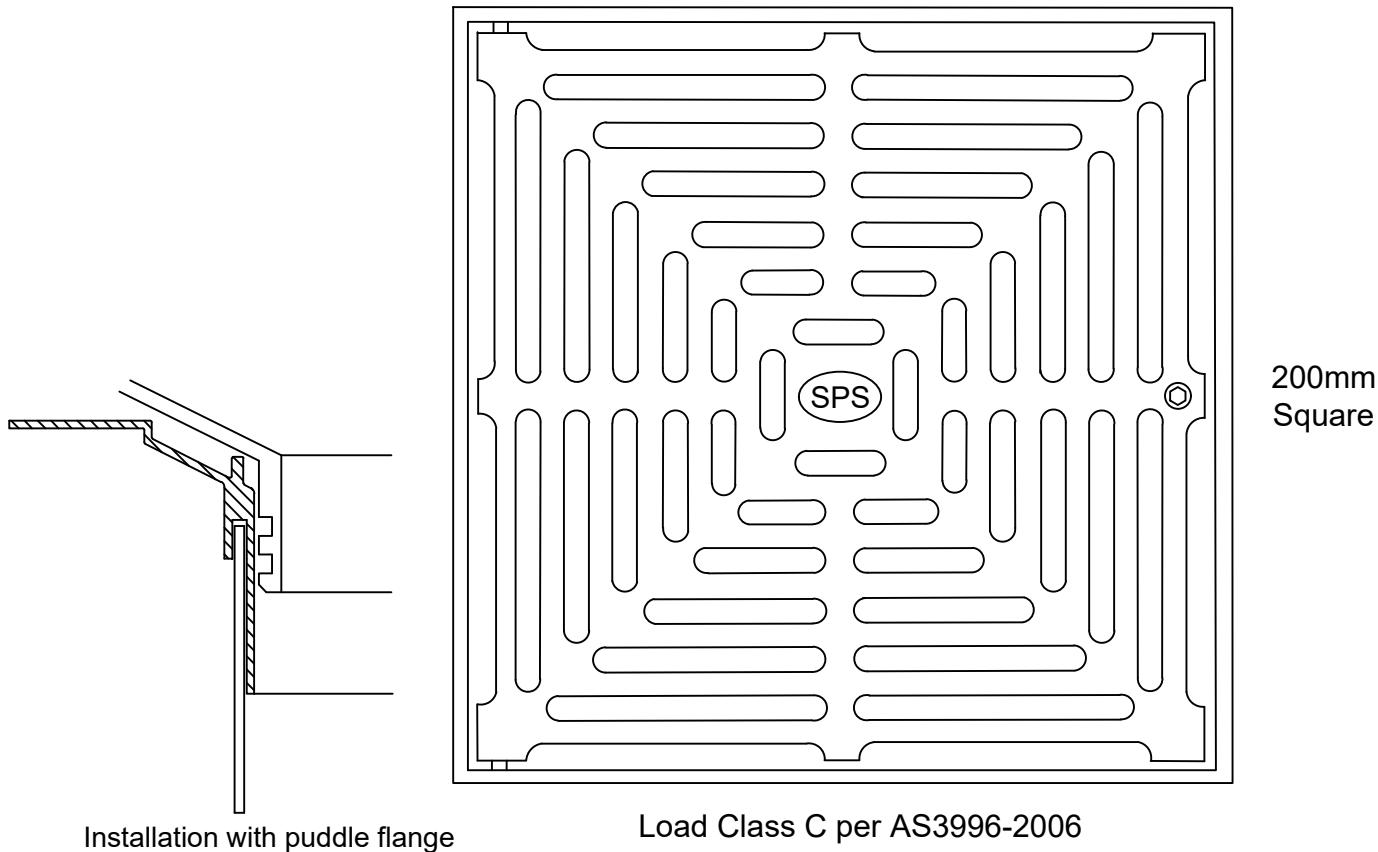


SPS 200mm Square Push-in Floor Drain

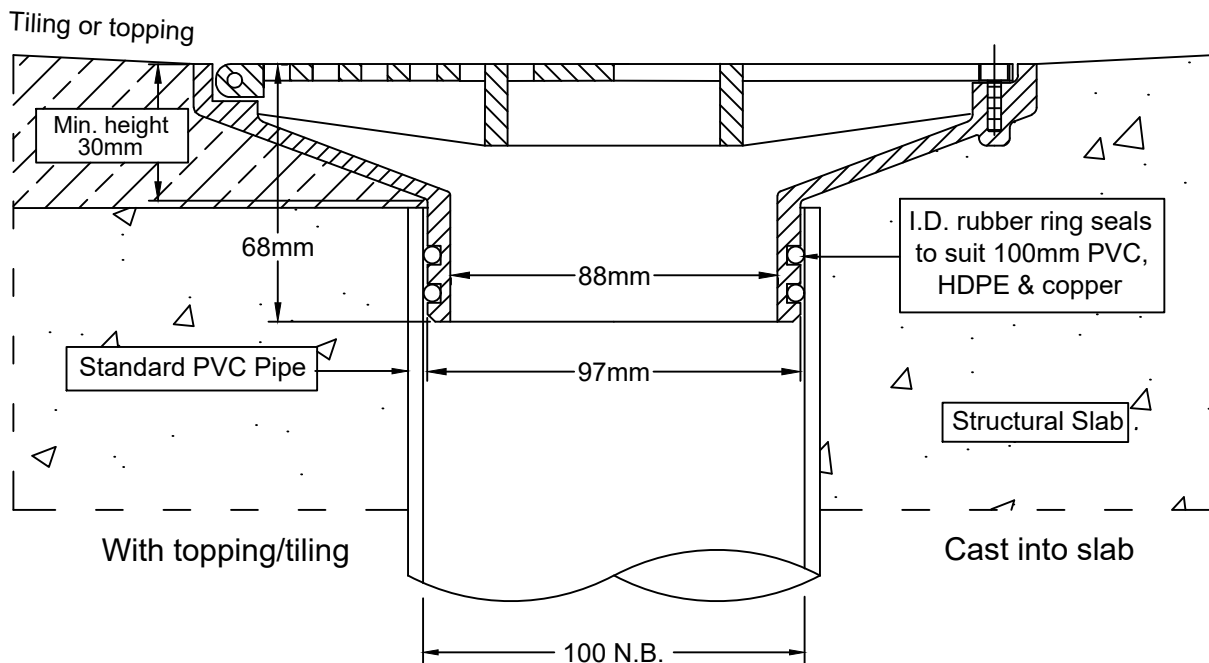
100mm Outlet

Specification code:
 Q200SR (satin 316 stainless steel)
 Q200SR4 (polished 304 stainless steel)

High-heel friendly pattern (6mm gaps)



Typical Applications



*For flow rate data please refer to appendix.

Speciality Plumbing Supplies Pty Ltd

Tel: (02) 9417 1900 Fax: (02) 9417 0108 E-mail: info@spsdrains.com.au