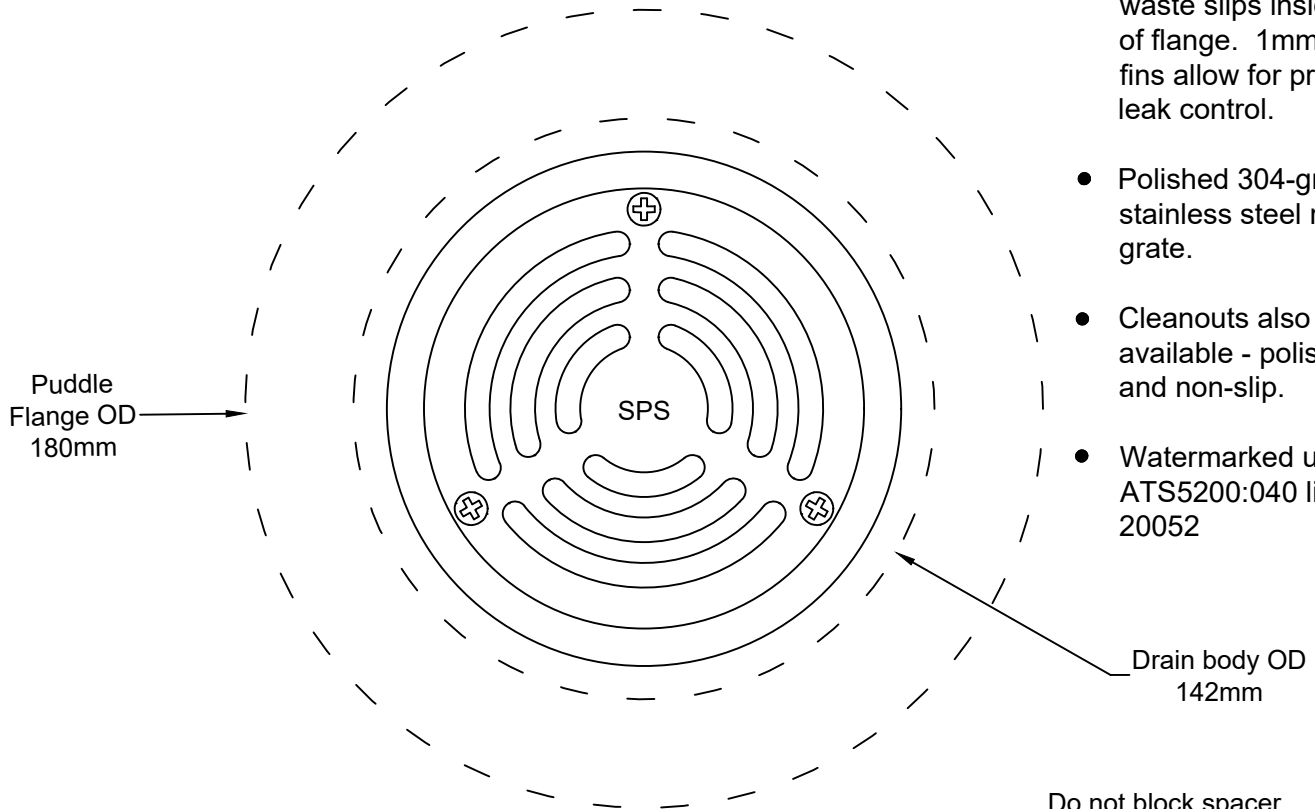


SPS 100mm Puddle Flange w/ slip-in Low Profile Vinyl Floor Waste

Specification codes:

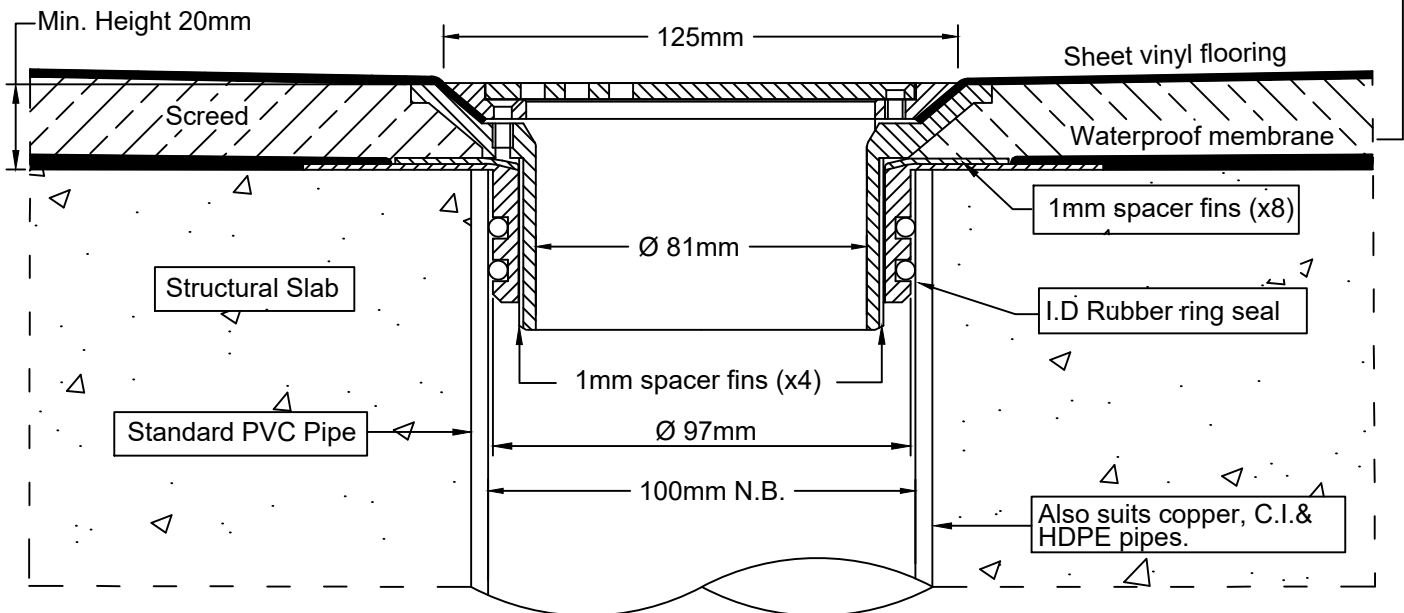
Floor waste: LG87SVAP (ABS body, 304SS top)
 Cleanout (polished) LG87SVPAP (ABS body, 304SS top)
 Cleanout (non-slip) LG87SVPNAP (ABS body, 304SS top)
 Includes PF100 puddle flange

- Puddle flange with ultra-thin face. Suitable for Retro-fit or cast-in slab installations.
- Low profile vinyl floor waste slips inside I.D. of flange. 1mm spacer fins allow for proper leak control.
- Polished 304-grade stainless steel ring and grate.
- Cleanouts also available - polished and non-slip.
- Watermarked under ATS5200:040 lic. no. 20052



Typical Application

Do not block spacer fins with liquid membrane or leak control will not work!



Speciality Plumbing Supplies Pty Ltd

Tel: (02) 9417 1900 Fax: (02) 9417 0108 E-mail: info@spsdrains.com.au