

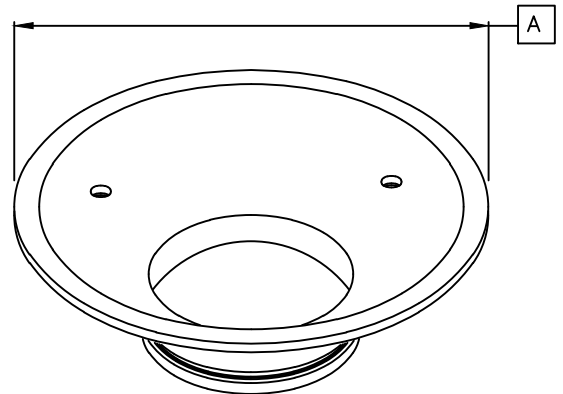
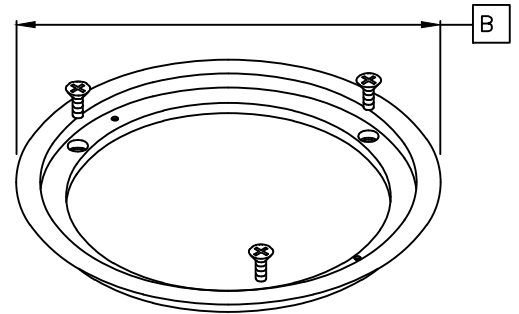
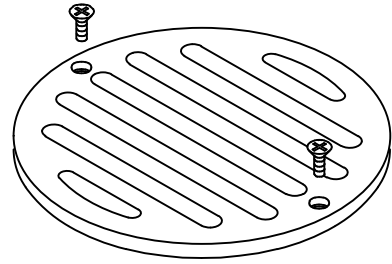
SPS 50mm Push-In Sheet Vinyl Floor Waste

Specification codes:

LG50SSA4 (entire assembly in 304 stainless steel)

LG50SSA6 (316 SS ring/grate, 304 SS body) *special order*

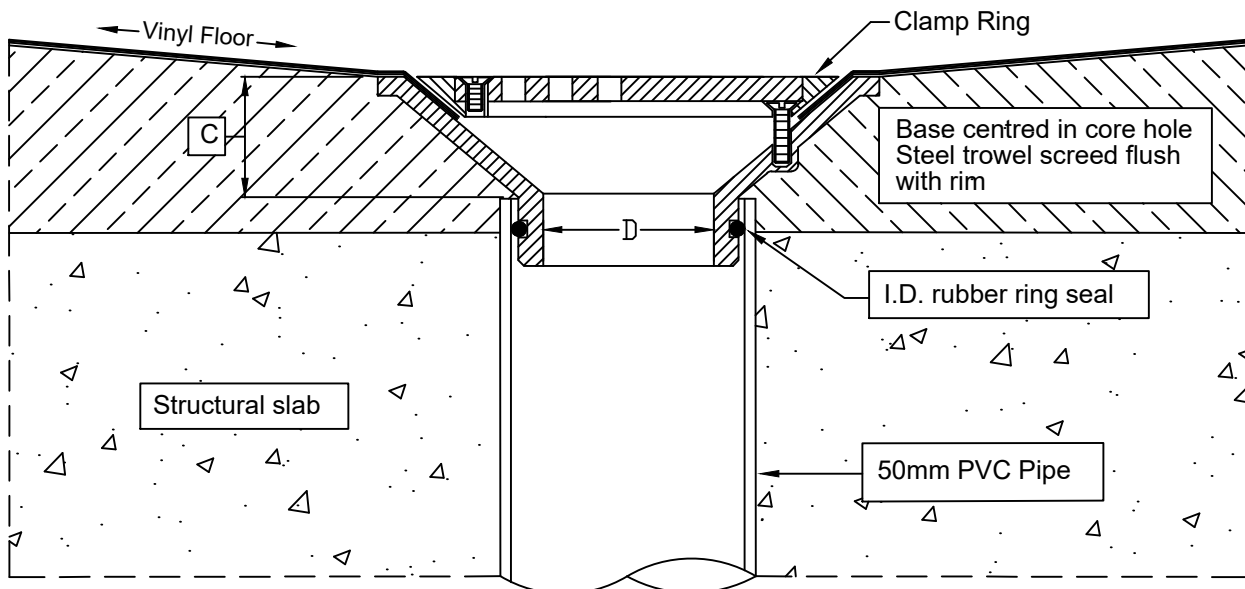
- Push-in floor waste assembly for sheet vinyl flooring.
- Available in all 304 stainless steel. 316 stainless steel top available by special order only.
- O-ring adapts outlet to 50mm PVC.



DIMENSIONAL DATA

NOMINAL OUTLET DIAMETER	DIMENSION IN MILLIMETRES			
	ØA	ØB	ØC	ØD
50	112	100	35	42

Typical Application



Speciality Plumbing Supplies Pty Ltd

Tel:(02) 9417 1900 Fax:(02) 9417 0108 E-mail: info@spsdrains.com.au