

# SPS 100mm Square Push-in Floor Drain

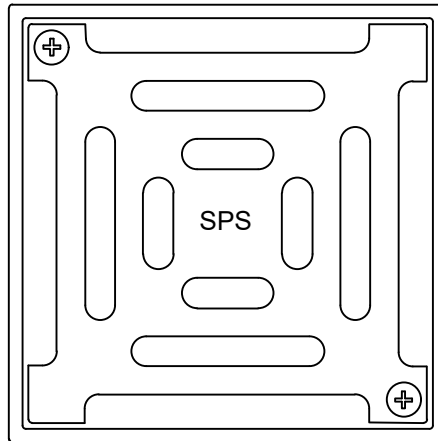
50mm outlet  
80mm outlet

Specification codes:

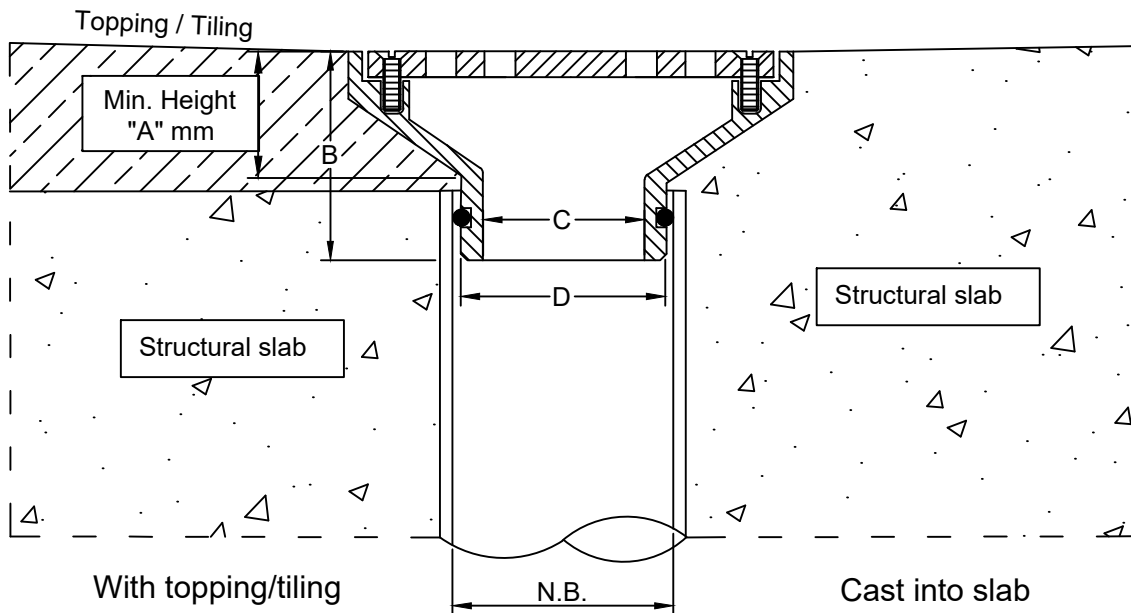
- Q100SR (50mm, satin 316SS)
- Q100SR4 (50mm, polished 304SS)
- Q100/80SR (80mm, satin 316SS)
- Q100/80SR4 (80mm, polished 304SS)

- Square grate available in 316 stainless steel. 304 grade available by special order.
- O-ring spigot pushes into 50mm or 80mm PVC pipe only.

100mm  
Square



## Typical Applications



N.B	A	B	C	D
50mm	25	46	42	50
80mm	18	50	64	72

\*For flow rate data please refer to appendix.

**Speciality Plumbing Supplies Pty Ltd**

Tel: (02) 9417 1900 Fax: (02) 9417 0108 E-mail: info@spsdrains.com.au