

SPS 225mm Square Special Downpipe Drain

Specification code:

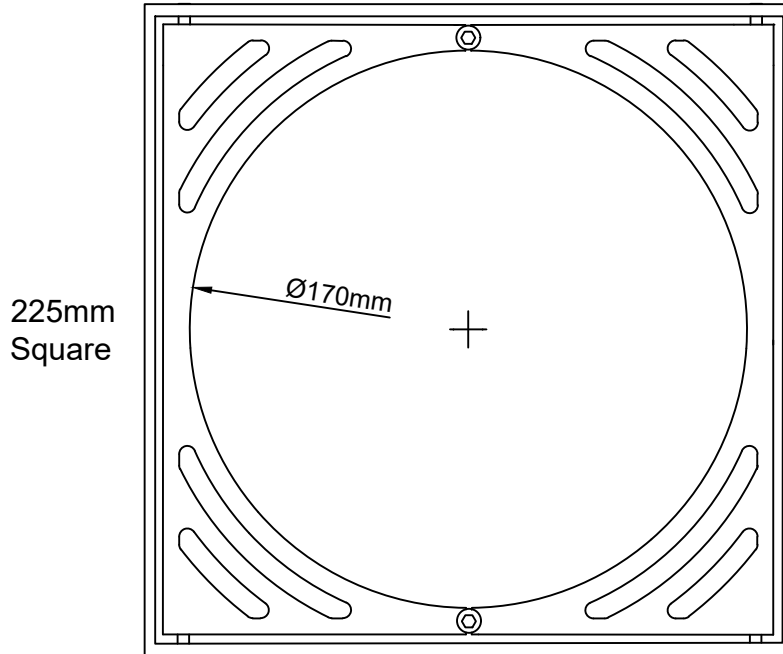
Q225SDP4/C150 (Polished 304 SS grate assembly, CI lower body)

Q225SDP6/C150 (Satin 316 SS grate & frame ass'y, CI lower body)

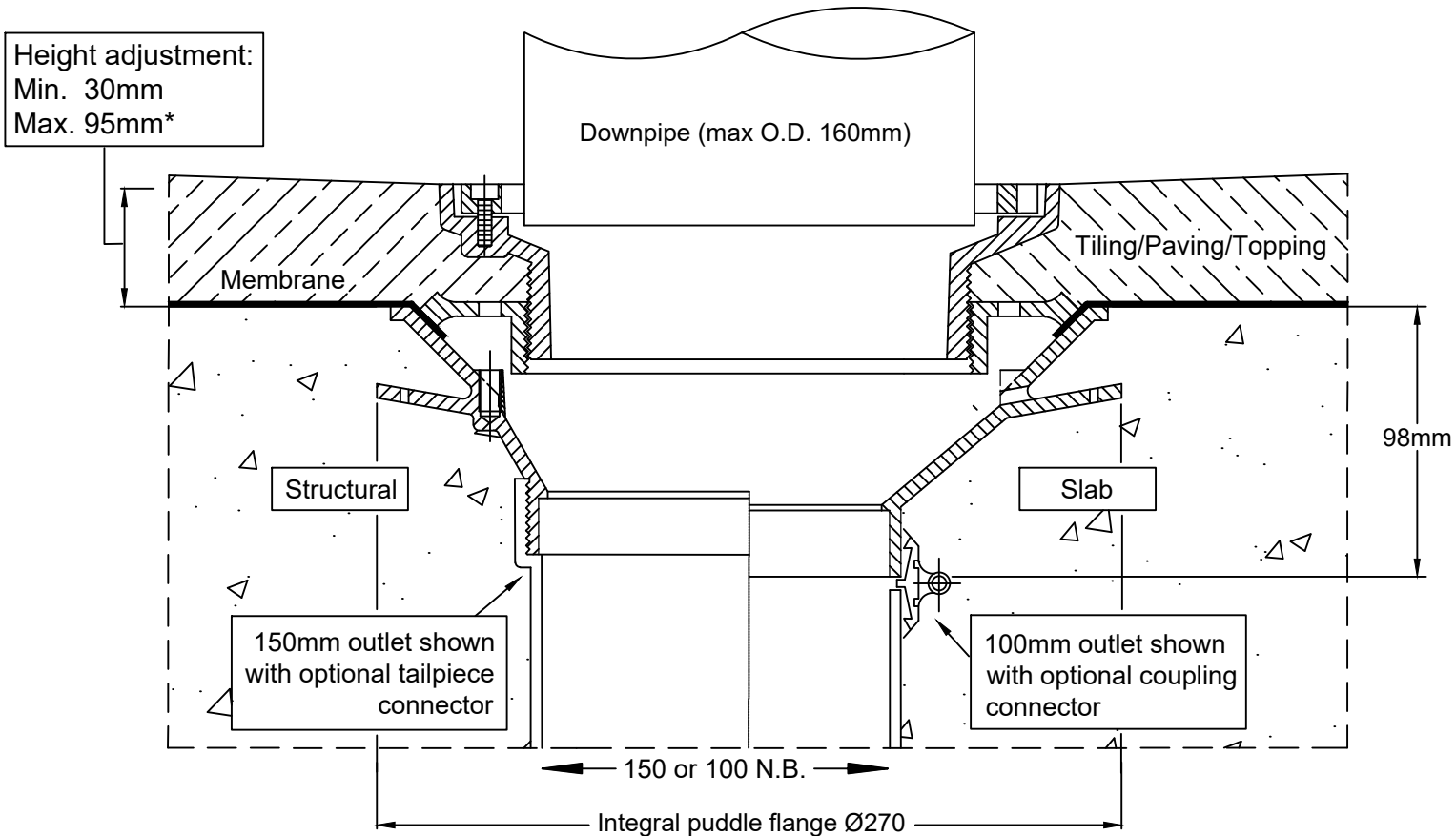
For 100mm outlet, use suffix /C100

316SS version is SPECIAL ORDER

**150mm outlet
or 100mm outlet**



- Height-adjustable high-heel friendly grate assembly.
- Grate assembly features 170mmØ hole to allow insertion of 160mm downpipe.
- Double-hinge design for ease of access and maintenance.
- Available in 304 stainless steel; 316 stainless steel available by special order.
- 100mm or 150mm Truflo CI lower body with 150mm reversible clamp collar.



Speciality Plumbing Supplies Pty Ltd

Tel: (02) 9417 1900 Fax: (02) 9417 0108 E-mail: info@spsdrains.com.au