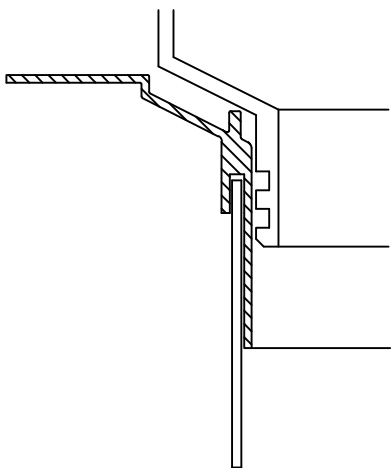
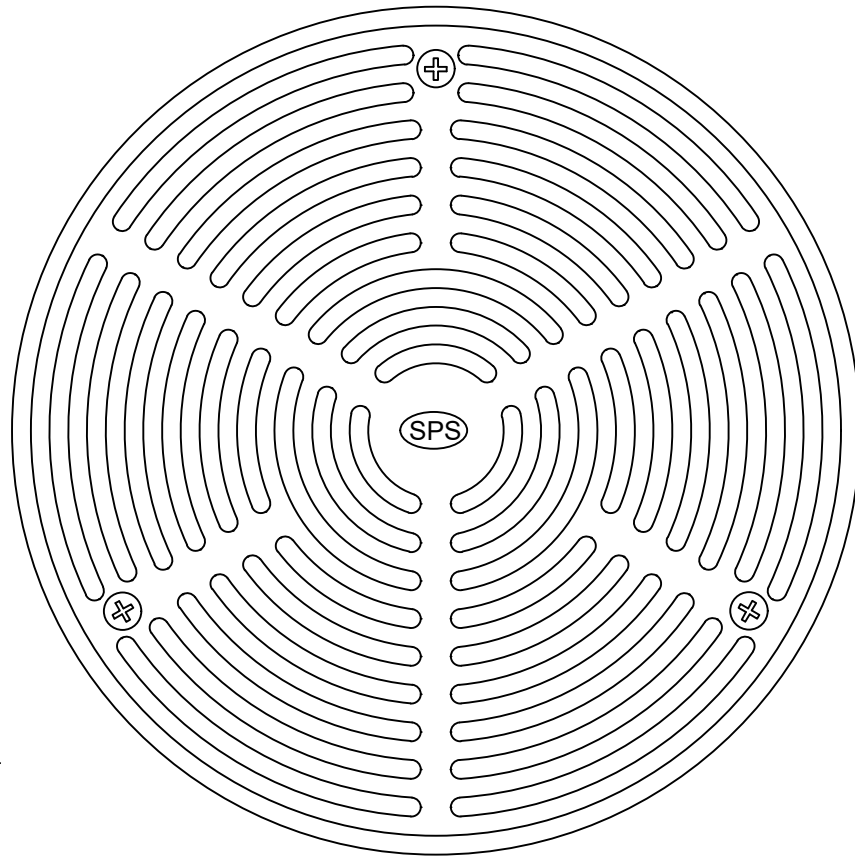


SPS 225mm Round Push-in Floor Drain

Specification code:
R225SR (satin 316 stainless steel)

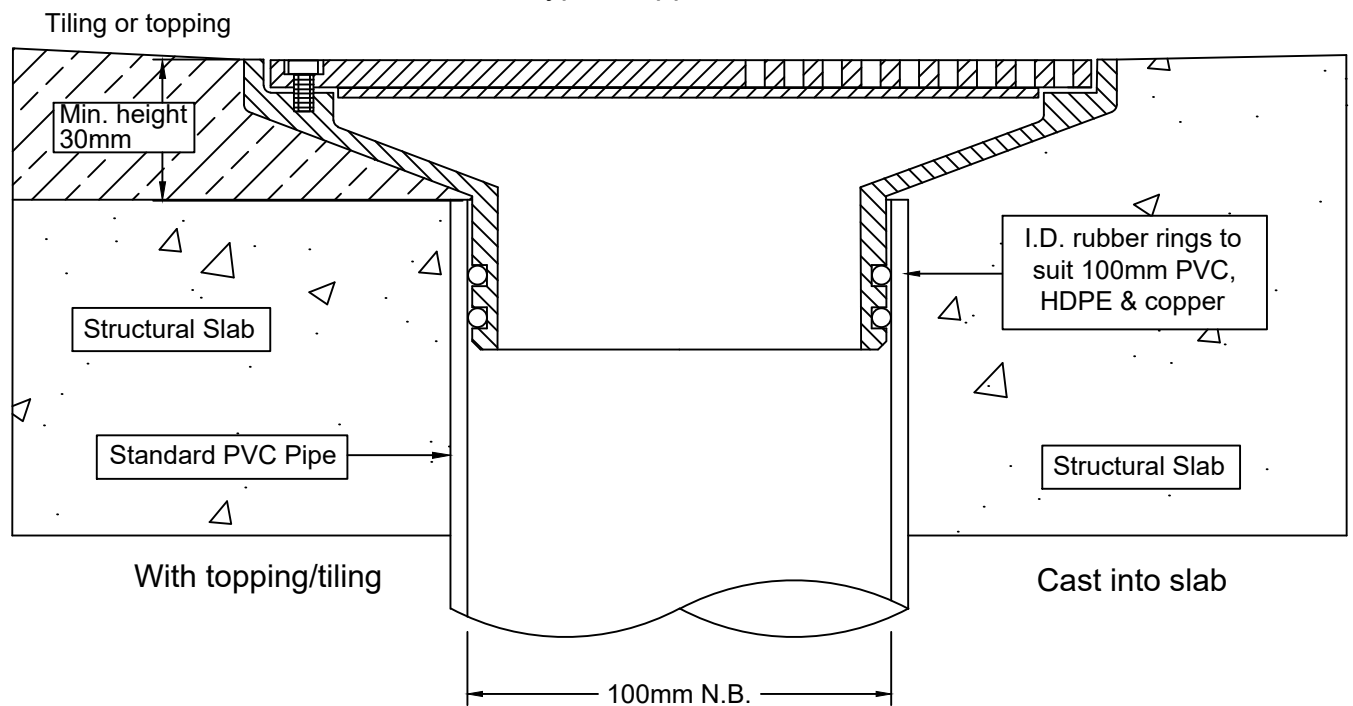
100mm Outlet

High-heel friendly pattern (5.5mm gaps)



Installation with puddle flange

Typical Applications



*For flow rate data please refer to appendix.

Speciality Plumbing Supplies Pty Ltd

Tel: (02) 9417 1900 Fax: (02) 9417 0108 E-mail: info@spsdrains.com.au