

SPS 100mm Push-in Sheet Vinyl Floor Waste

Specification codes:

V100CPA (Brass body, chrome plated brass ring & grate)

V100SVA (ABS body, polished 304 SS ring & grate)

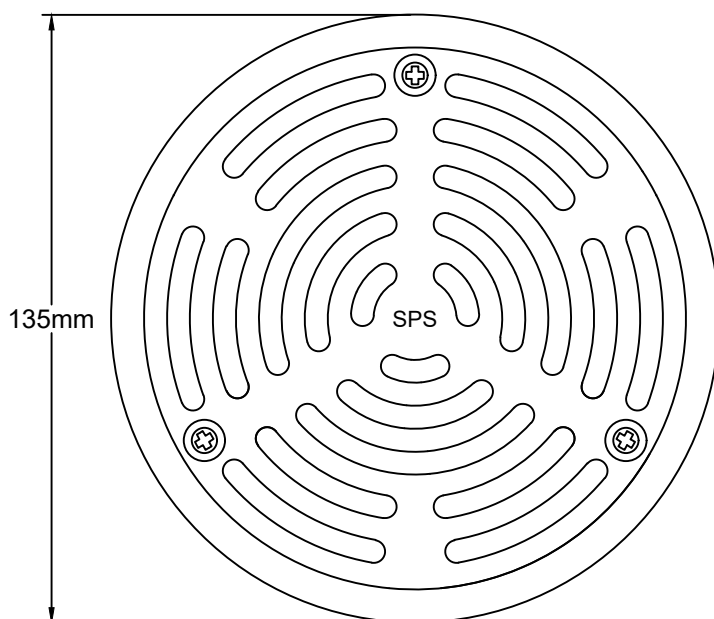
V100SVA6 (ABS body, polished 316 SS ring & grate)

V100SSA4 (Assembly in polished 304 stainless steel)

V100SSA6 (Assembly in polished 316 stainless steel)

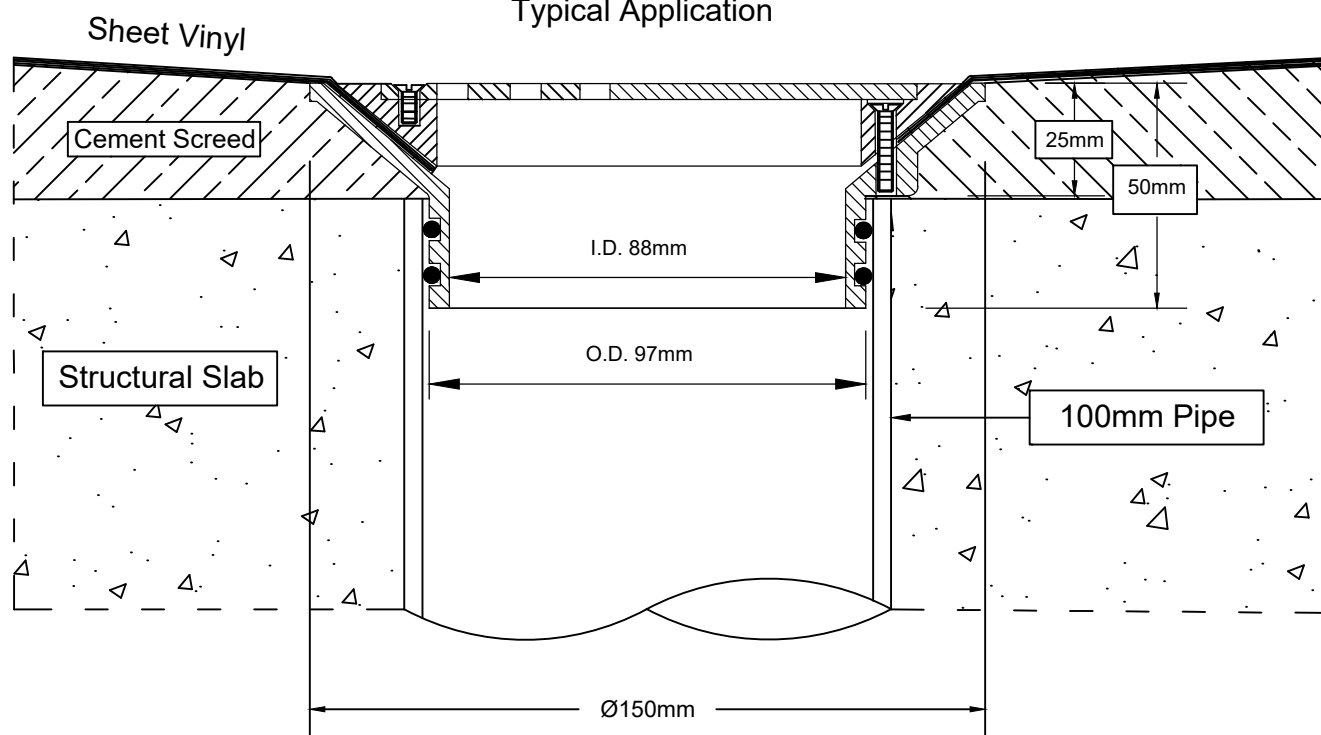
- Push-in floor waste assembly for sheet vinyl flooring.
- Drain body available in ABS, zinc-alloy and 304 grade stainless steel. 316SS available by special order.
- Ring & grate available in chrome-plated zinc-alloy or polished 304 grade stainless steel. 316SS available by special order.
- O-rings adapt outlet to 100mm PVC, copper, HDPE or CI pipe.
- Watermarked under ATS5200:040 (ref: 20052)

High-heel friendly pattern (5mm gaps)



⊗ — Tamper-proof screws optional

Typical Application



Speciality Plumbing Supplies Pty Ltd

Tel: (02) 9417 1900 Fax: (02) 9417 0108 E-mail: info@spsdrains.com.au