

# SPS "Shallowflo" 100mm Push-in RWO (Variation Based on Truflo System)

Specification codes:

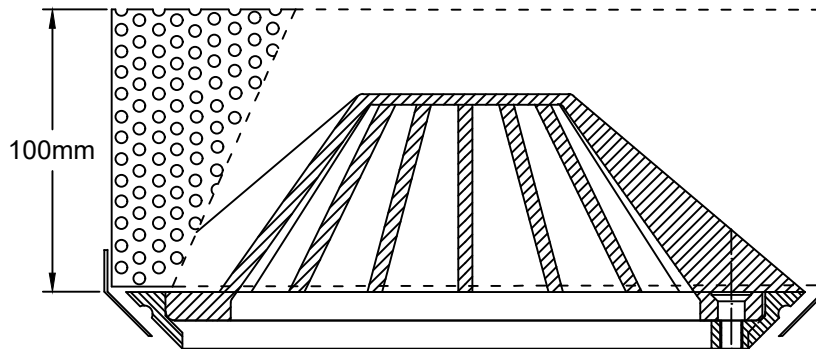
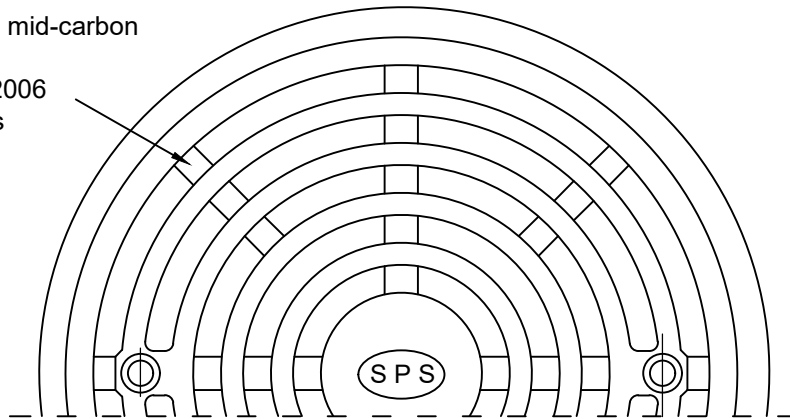
- SF100F (CI body, galvanised flat grate class D)
- SF100F2 (CI body, LM-6 flat grate & membrane ring)
- SF100D2 (CI body, LM-6 dome grate & membrane ring)

Suggested applications:

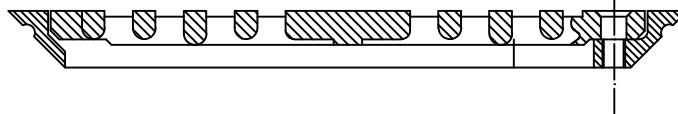
Applications where regular Truflo is too deep to fit, but not requiring normal "Truflo" flow rates

**USE WITH CAUTION:** Flow rates are only a fraction of those of regular Truflo

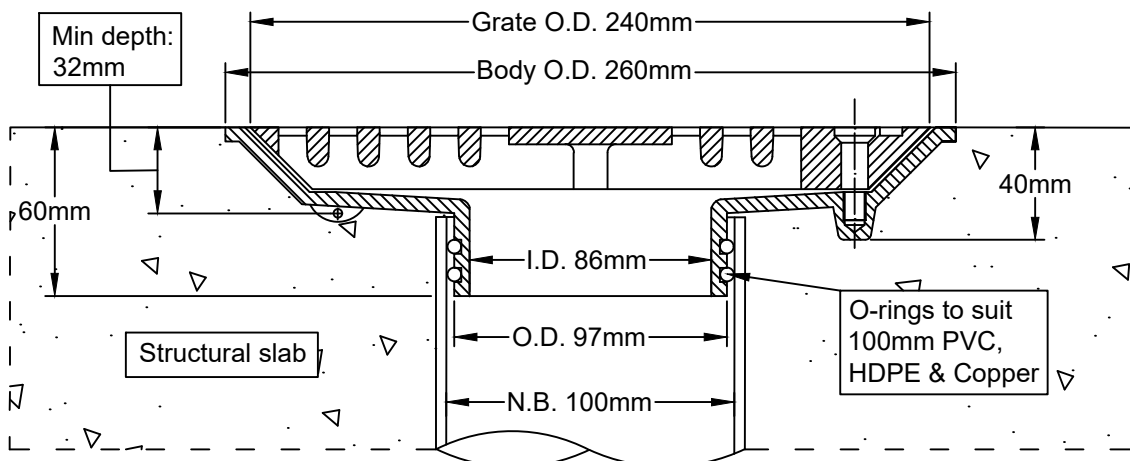
Hot-dipped galvanised mid-carbon steel flat grate, load class D per AS 3996-2006  
FLOW RATE max 3 l/s



LM-6 dome grate and membrane ring, for roof slabs (note: optional gravel guard partially illustrated)  
FLOW RATE MAX 3 l/s



LM-6 flat grate and membrane ring, for waterproofed slabs (eg roof decks & plant rooms).  
FLOW RATE MAX 3 l/s



**Speciality Plumbing Supplies Pty Ltd**

Tel: (02) 9417 1900 Fax: (02) 9417 0108 E-mail: info@spsdrains.com.au