

SPS 100mm Extra Compact Push-in Vinyl Floor Waste/Cleanout with Uni-Fin

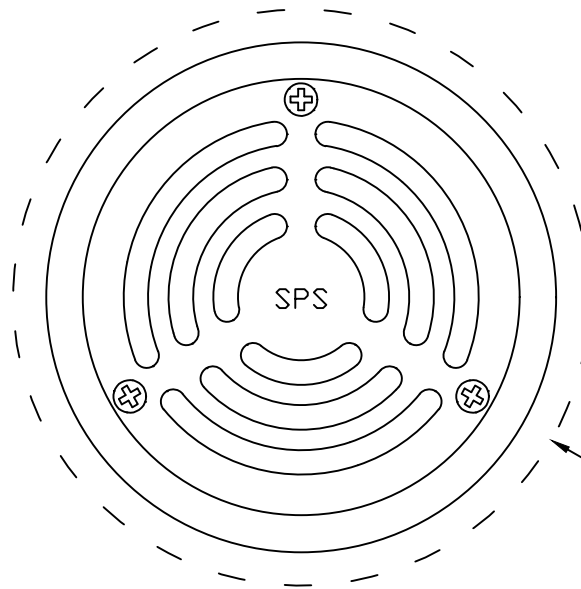
Specification codes:

Floor waste: LG87SVAF (ABS body, 304SS top)

Cleanout (polished) LG87SVPF (ABS body, 304SS top)

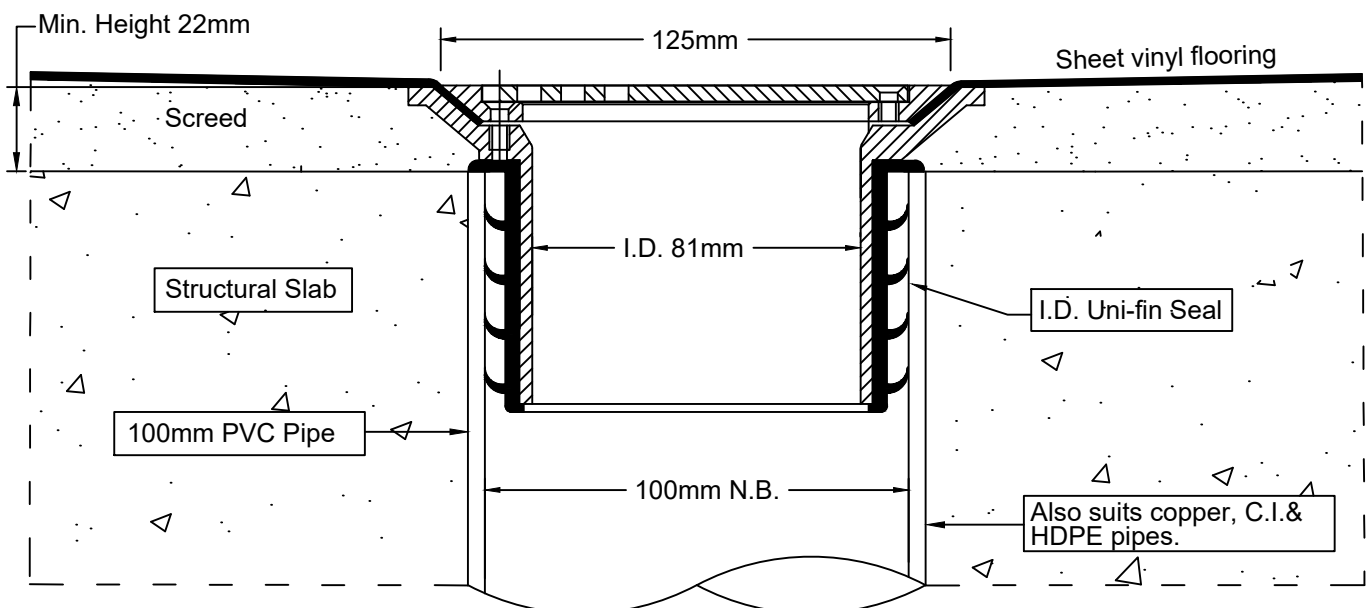
Cleanout (non-slip) LG87SVPNF (ABS body, 304SS top)

- Lo-profile vinyl floor waste slips inside 100mm PVC, HDPE and copper with the new Uni-fin adapter.
- Polished 304-grade stainless steel ring and grate, ABS plastic lower body
- Cleanout tops also available - polished or non-slip 304SS/



Drain body OD
142mm

Typical Application



Speciality Plumbing Supplies Pty Ltd

Tel: (02) 9417 1900 Fax: (02) 9417 0108 E-mail: info@spsdrains.com.au