

SPS 100mm Round Push-in Floor Drain

50mm outlet

80mm outlet

Specification codes:

R100SR (50mm, satin 316SS)

R100SR4 (50mm, polished 304SS)

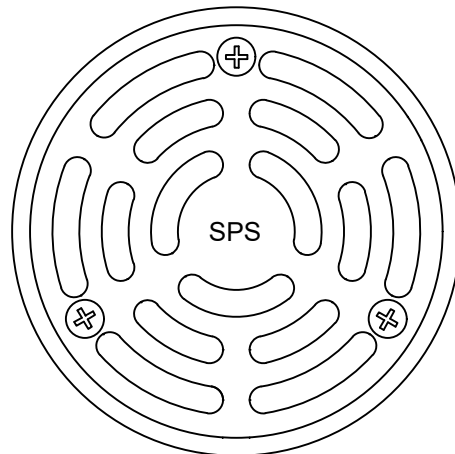
R100/80SR (80mm, satin 316SS)

R100/80SR4 (80mm, polished 304SS)

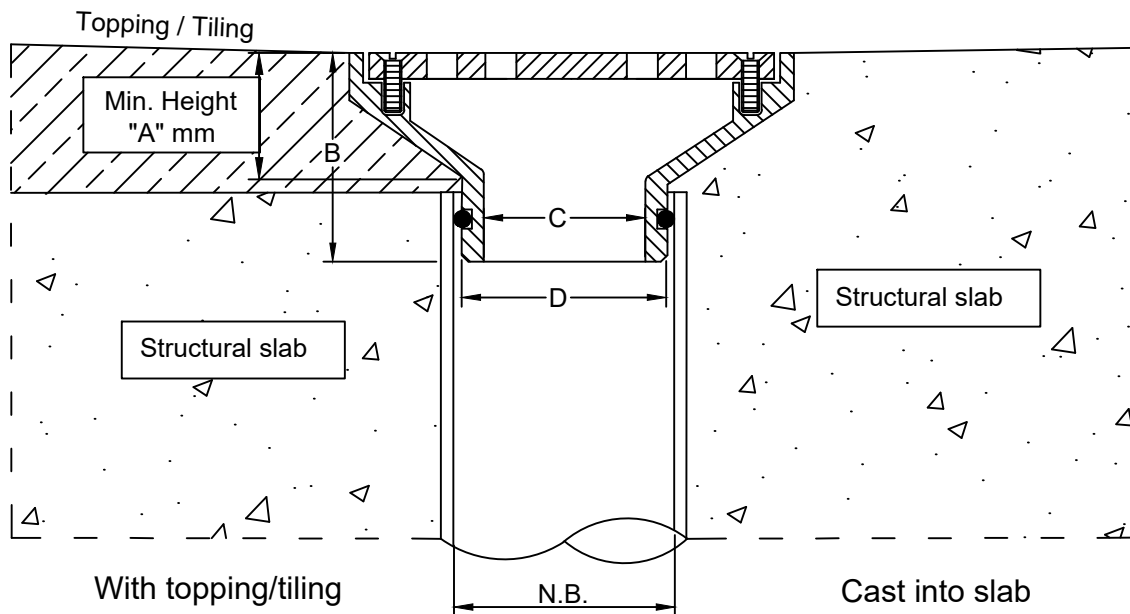
- Round grate available in 316 stainless steel. 304 grade available by special order.

- O-ring spigot pushes into 50mm or 80mm PVC pipe only.

100mm
Round



Typical Applications



N.B	A	B	C	D
50mm	25	46	42	50
80mm	18	50	64	72

Speciality Plumbing Supplies Pty Ltd

Tel: (02) 9417 1900 Fax: (02) 9417 0108 E-mail: info@spsdrains.com.au