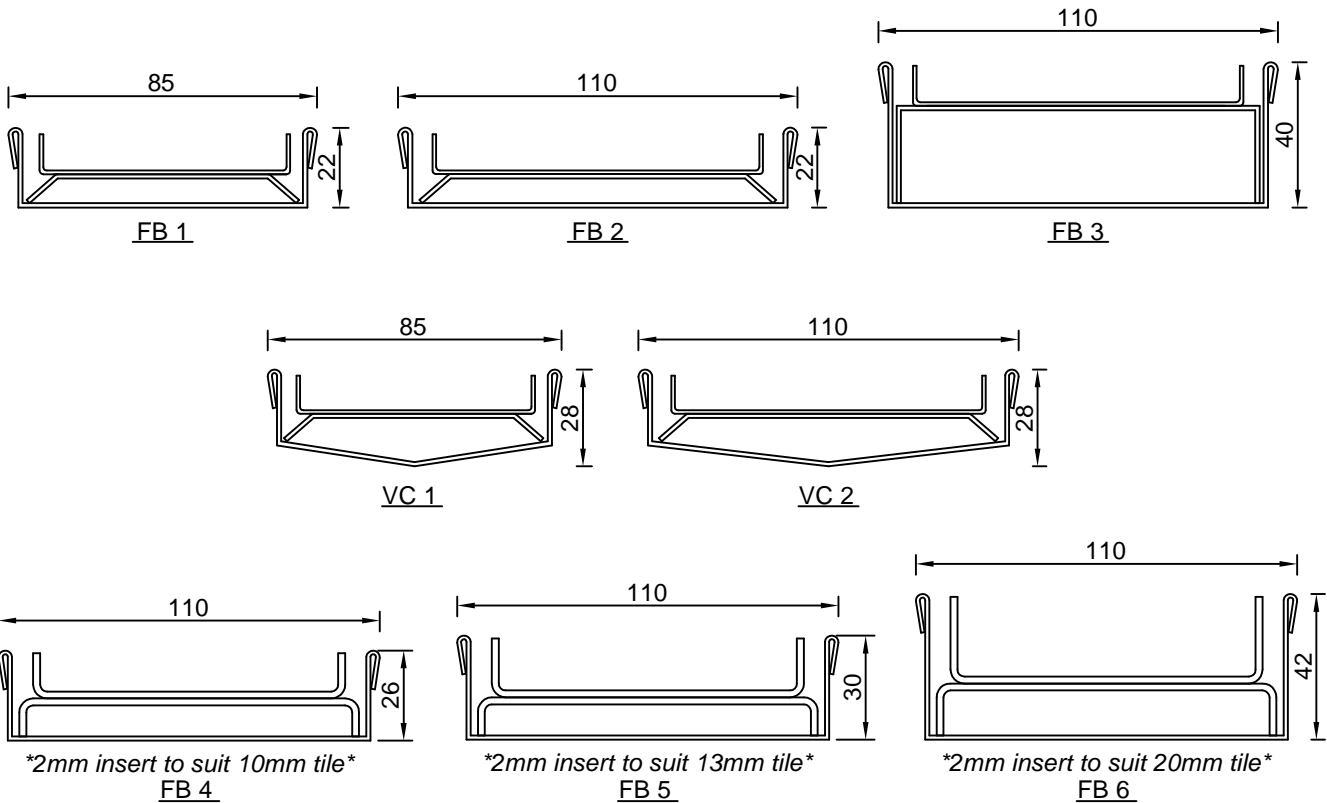


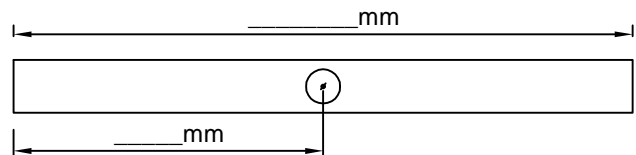
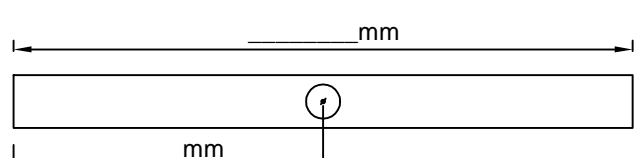
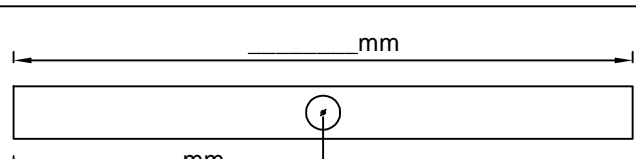
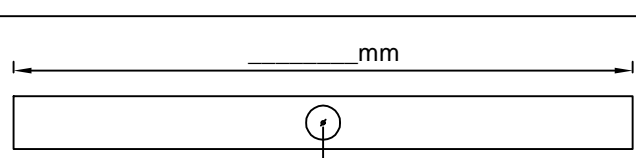
# SPS Drains Order/Quote Form

## Tile Insert Grate & Channel Range

### Step 1 - Choose Profile/Size:



### Step 2 - Specifications:

<p>1.</p> 	<p><b>Selected Product:</b></p> <p><input type="checkbox"/> FB 1   <input type="checkbox"/> FB 2   <input type="checkbox"/> FB 3   <input type="checkbox"/> FB 4   <input type="checkbox"/> FB 5   <input type="checkbox"/> FB 6</p> <p><input type="checkbox"/> VC 1   <input type="checkbox"/> VC 2</p> <p><b>Outlet Size:</b></p> <p><input type="checkbox"/> 44mm   <input type="checkbox"/> 63mm   <input type="checkbox"/> 76mm   <input type="checkbox"/> 89mm</p>
<p>2.</p> 	<p><b>Selected Product:</b></p> <p><input type="checkbox"/> FB 1   <input type="checkbox"/> FB 2   <input type="checkbox"/> FB 3   <input type="checkbox"/> FB 4   <input type="checkbox"/> FB 5   <input type="checkbox"/> FB 6</p> <p><input type="checkbox"/> VC 1   <input type="checkbox"/> VC 2   <input type="checkbox"/> VC 3</p> <p><b>Outlet Size:</b></p> <p><input type="checkbox"/> 44mm   <input type="checkbox"/> 63mm   <input type="checkbox"/> 76mm   <input type="checkbox"/> 89mm</p>
<p>3.</p> 	<p><b>Selected Product:</b></p> <p><input type="checkbox"/> FB 1   <input type="checkbox"/> FB 2   <input type="checkbox"/> FB 3   <input type="checkbox"/> FB 4   <input type="checkbox"/> FB 5   <input type="checkbox"/> FB 6</p> <p><input type="checkbox"/> VC 1   <input type="checkbox"/> VC 2   <input type="checkbox"/> VC 3</p> <p><b>Outlet Size:</b></p> <p><input type="checkbox"/> 44mm   <input type="checkbox"/> 63mm   <input type="checkbox"/> 76mm   <input type="checkbox"/> 89mm</p>
<p>4.</p> 	<p><b>Selected Product:</b></p> <p><input type="checkbox"/> FB 1   <input type="checkbox"/> FB 2   <input type="checkbox"/> FB 3   <input type="checkbox"/> FB 4   <input type="checkbox"/> FB 5   <input type="checkbox"/> FB 6</p> <p><input type="checkbox"/> VC 1   <input type="checkbox"/> VC 2   <input type="checkbox"/> VC 3</p> <p><b>Outlet Size:</b></p> <p><input type="checkbox"/> 44mm   <input type="checkbox"/> 63mm   <input type="checkbox"/> 76mm   <input type="checkbox"/> 89mm</p>

Outlet size must be smaller than width of the channel width; Channel and grates will be 3000mm at maximum, any longer and a joiner will be provide; All 316L SS assembly. Tolerance +/- 1.5mm

Email to: [sps@spsdrains.com.au](mailto:sps@spsdrains.com.au)  
 And we will get back to you as quick as possible!