

SPS 100 & 150mm Truflo Special Downpipe Discharge Drain

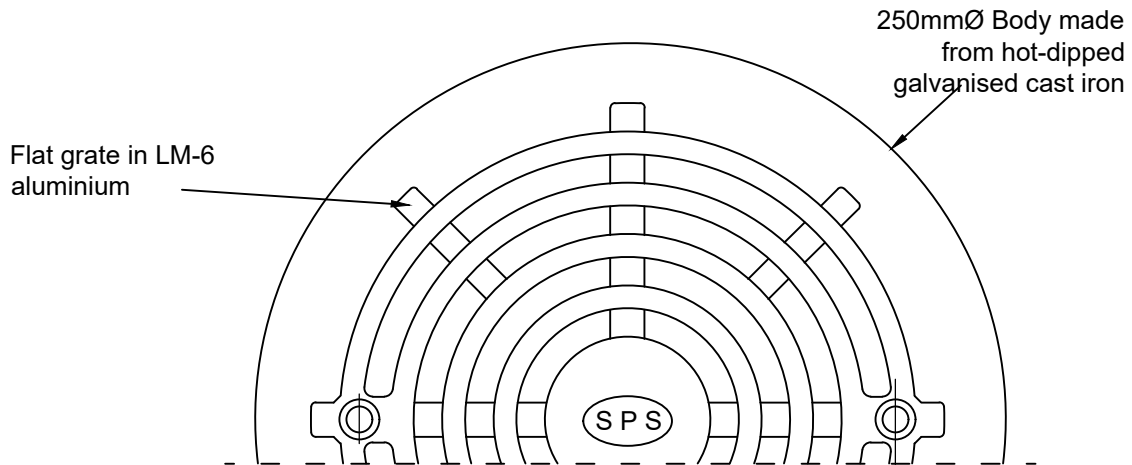
Specification codes:

T3150/100FE (Aluminium grate, galvanised CI body, 100mm outlet)

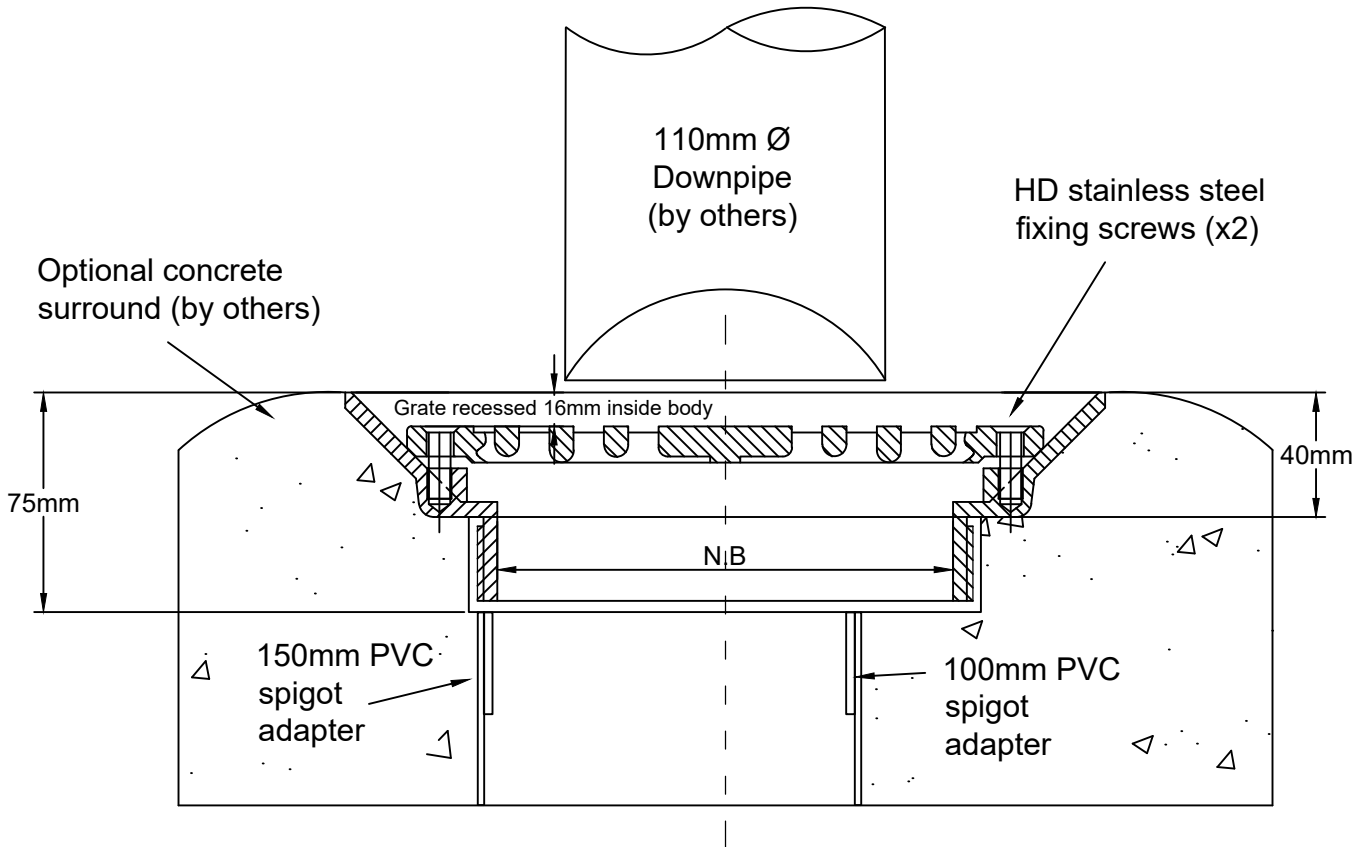
T3150FE (Aluminium grate, galvanised CI body, 150mm outlet)

Suggested application:

Rainwater inlet to be installed beneath the downpipes.



Typical Application



Speciality Plumbing Supplies Pty Ltd

Tel: (02) 9417 1900 Fax: (02) 9417 0108 E-mail: info@spsdrains.com.au