

SPS 300mm Square Fine Pattern Drain With Side-Outlet Lower Body

Specification code:

Q300S24/C109 (polished 304 SS grate, 100mm CI lower body)

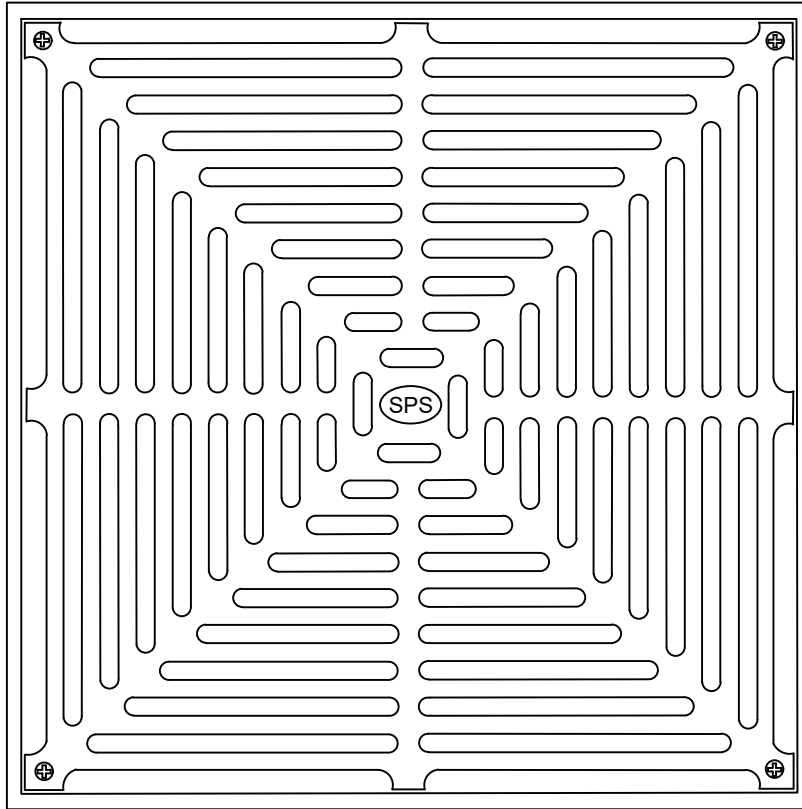
Q300S2/C109 (satin 316 SS grate, 100mm CI lower body)

Side outlet - "C109" = 100mm; "C89" = 80mm

100mm outlet
80mm outlet

High-heel friendly pattern (6mm gaps)

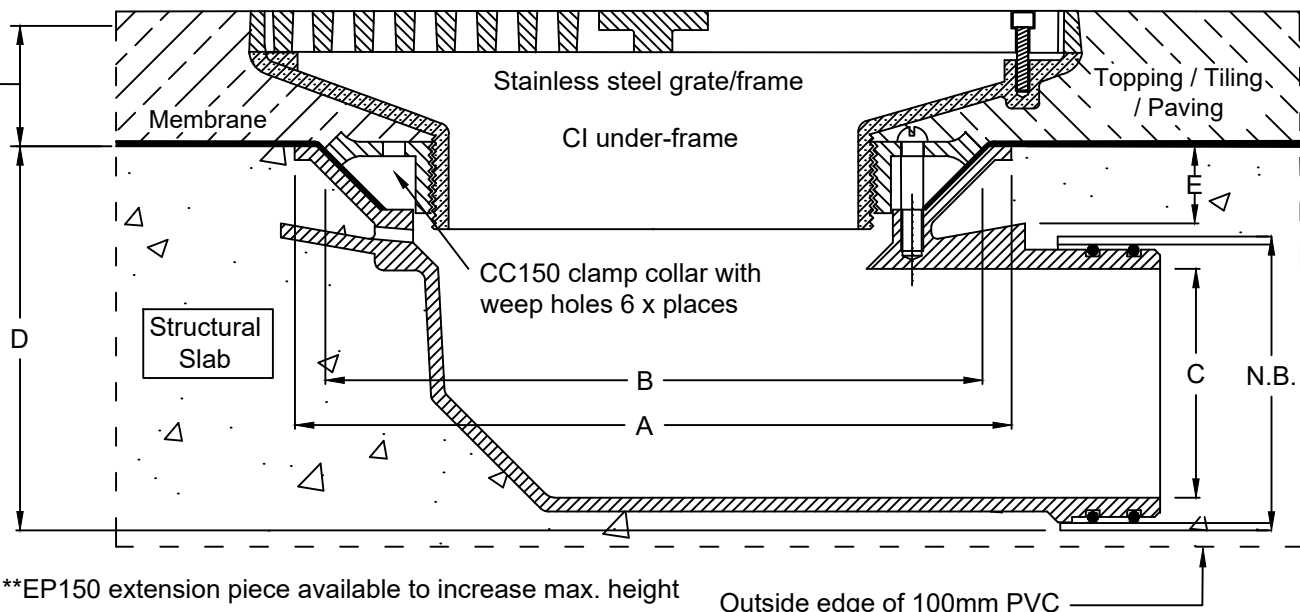
300mm
Square
6mm
Gaps



- Height-adjustable grate assembly with high-heel-friendly pattern.
- Available in polished 304 and satin 316 stainless steel.
- CI "Truflo" side-outlet lower body with 150mm BSP reversible clamp collar.

Height adjustment:
Min. 30mm
Max. 90mm**

Typical Application



**EP150 extension piece available to increase max. height

Outside edge of 100mm PVC

N.B.	A	B	C	D	E
80	260	240	62	115	28
100	260	240	83	140	28

Speciality Plumbing Supplies Pty Ltd

Tel: (02) 9417 1900 Fax: (02) 9417 0108 E-mail: info@spsdrains.com.au